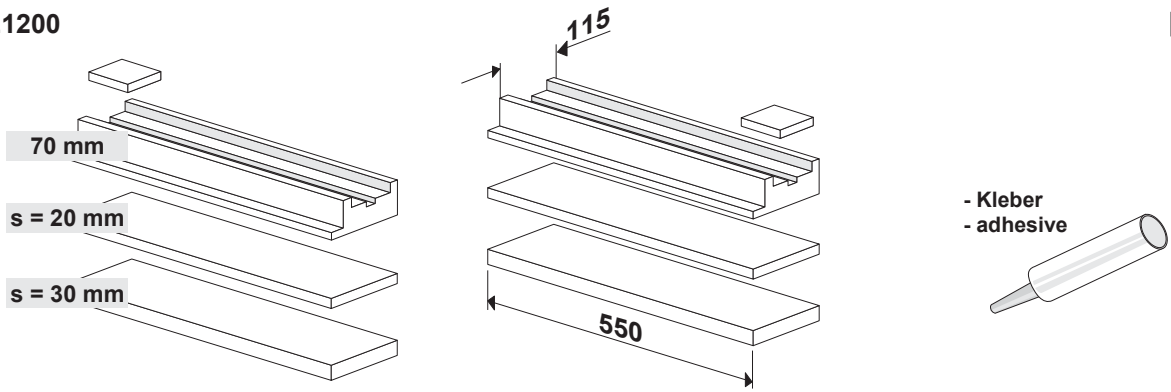


Art.: RTEE1200

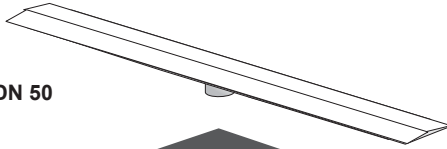
[mm]



ESS Art. Modulo M-2  
ESS Standard

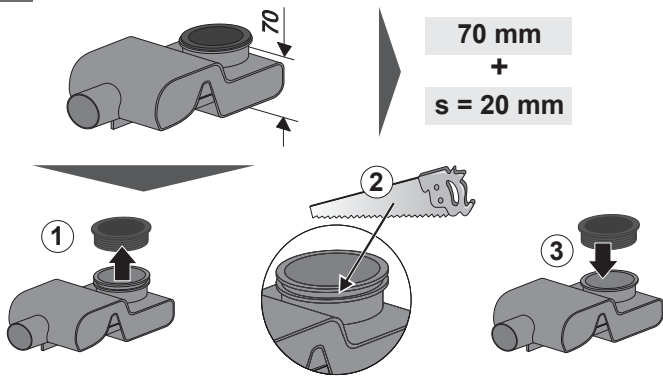
**A B C D** DN 50

**E** DN 40

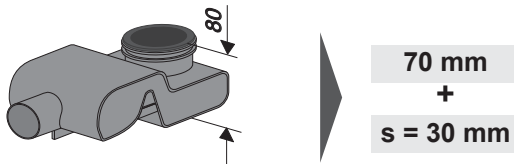


**A B C D E**

**A** DN 50



**B** DN 50

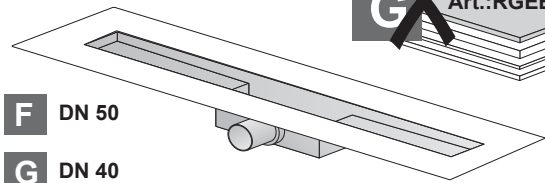


ESS Art. Modulo M-1

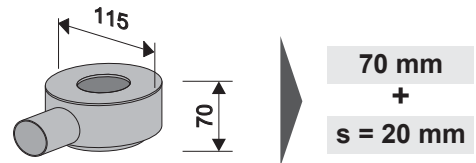


**F** DN 50

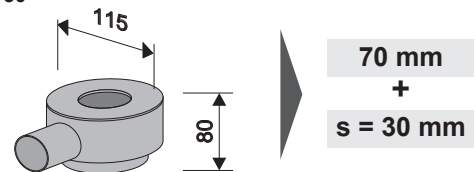
**G** DN 40



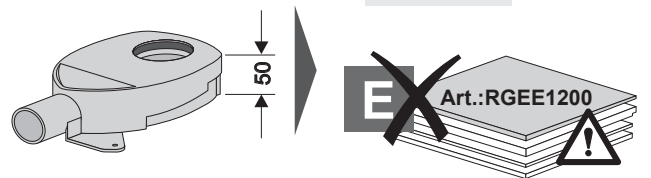
**C** DN 50



**D** DN 50

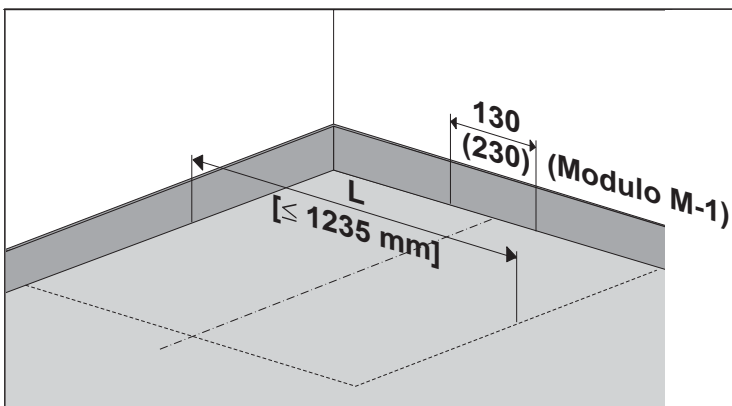
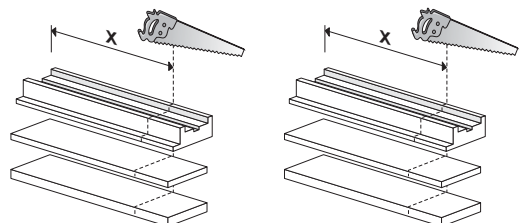


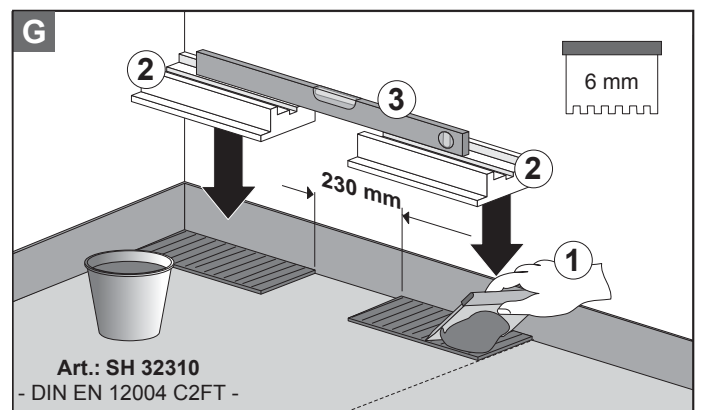
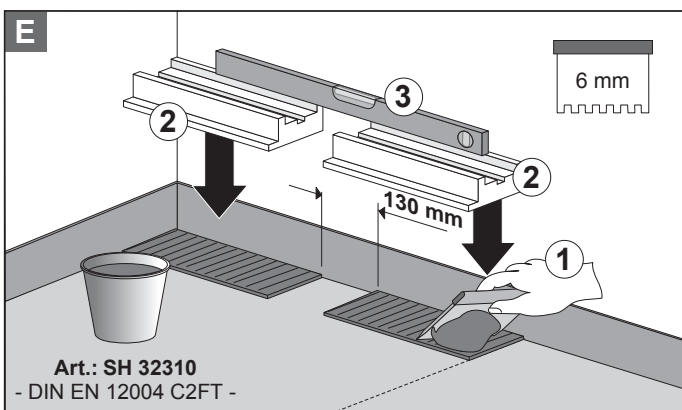
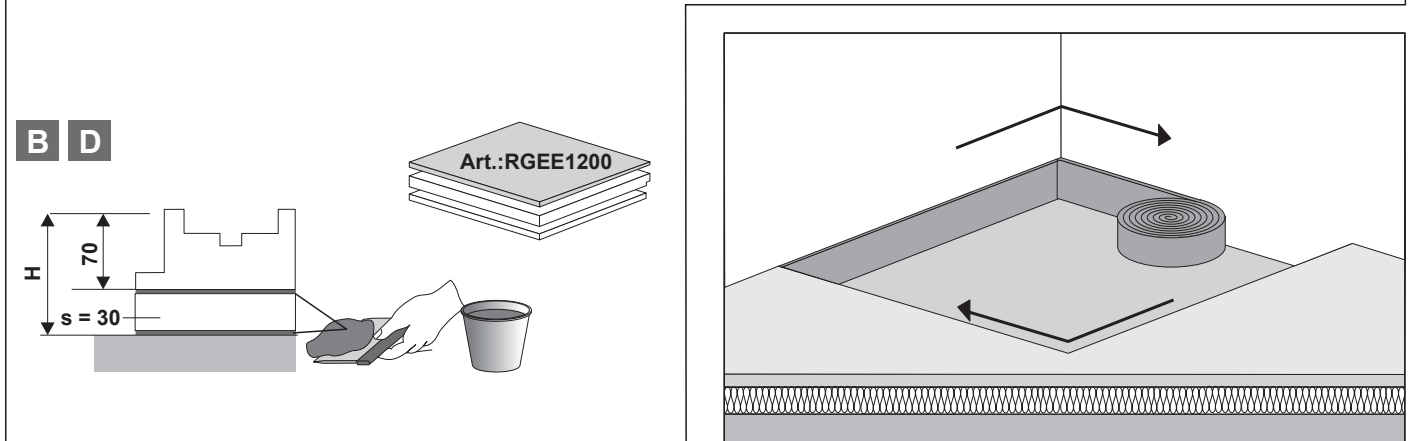
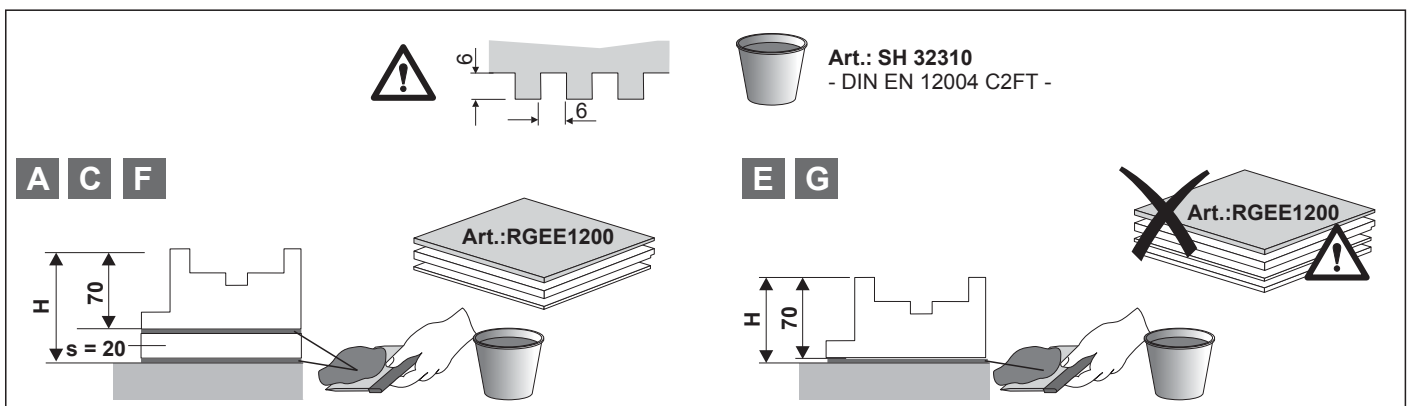
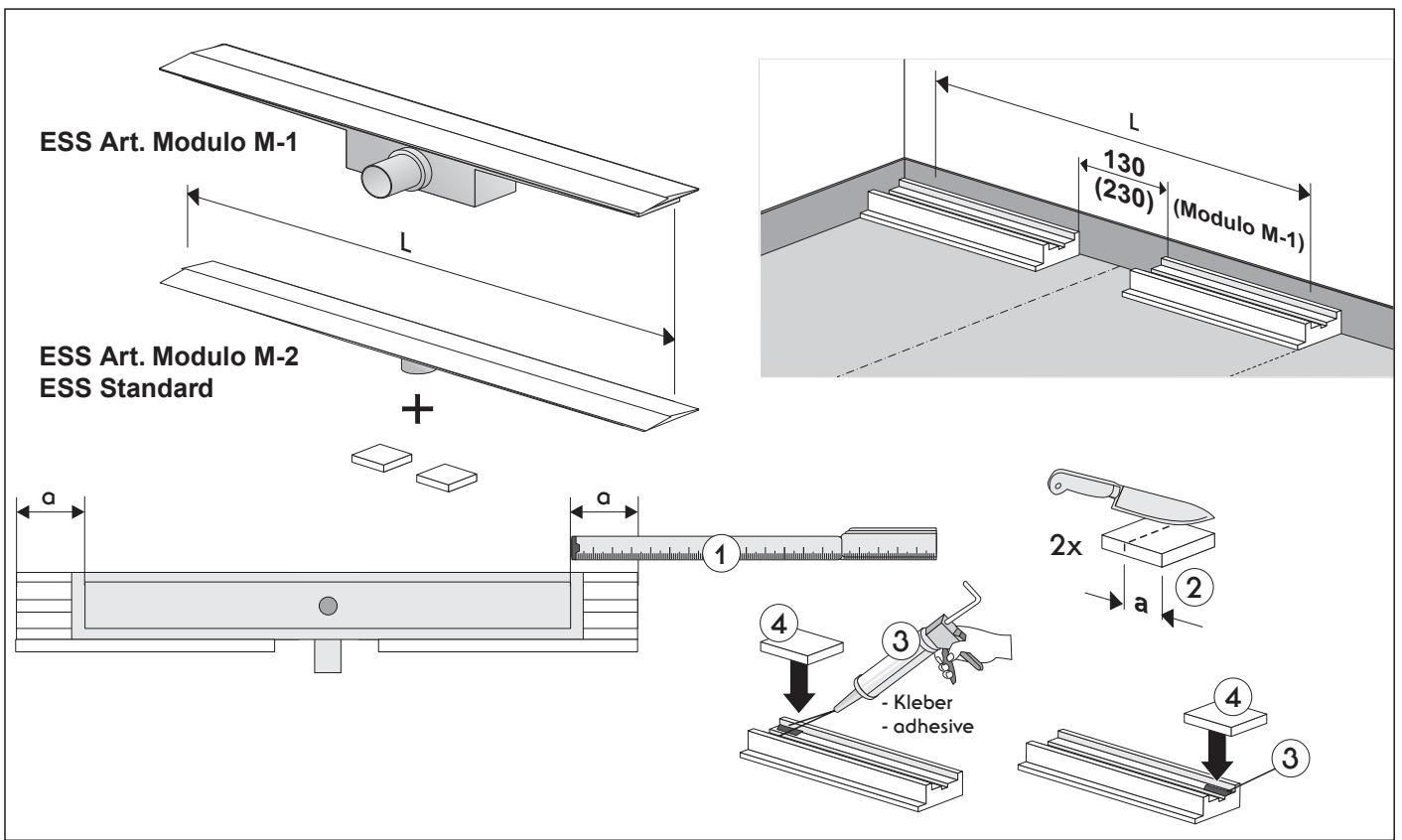
**E** DN 40

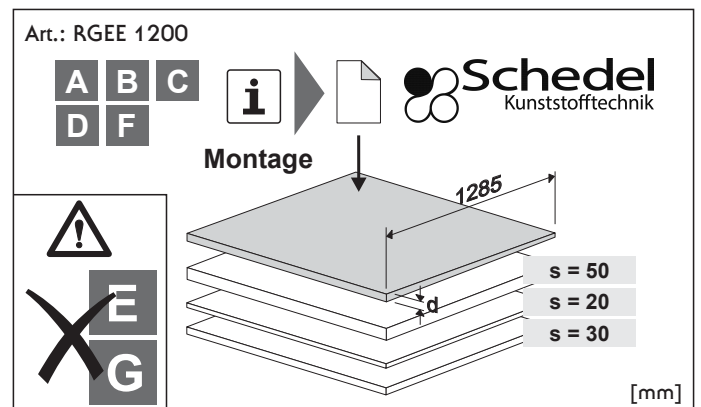
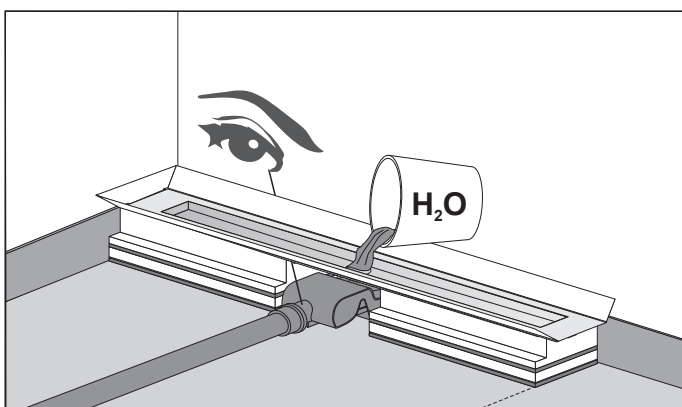
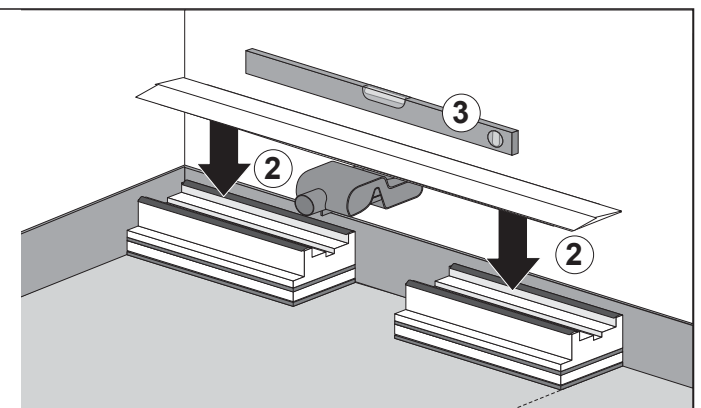
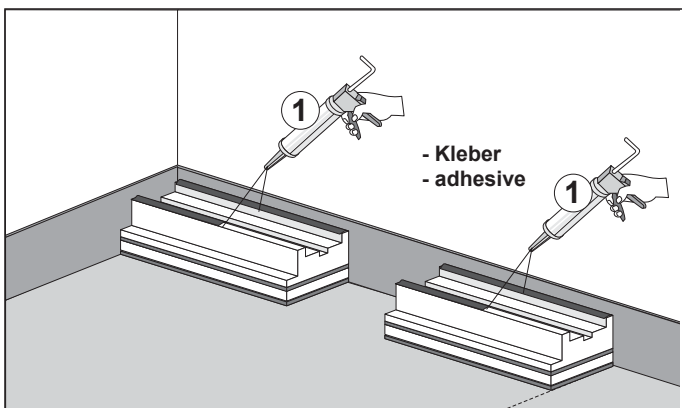
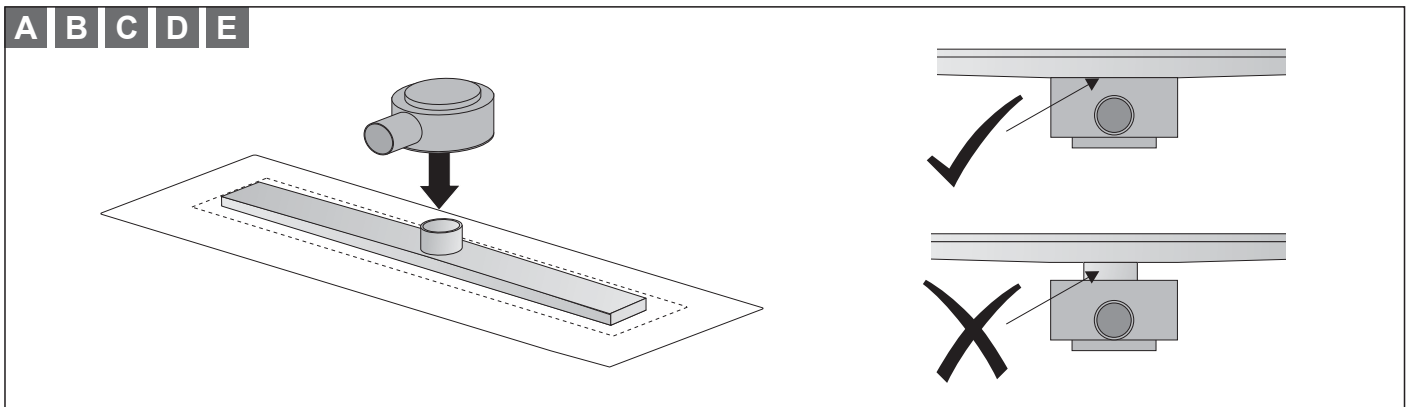
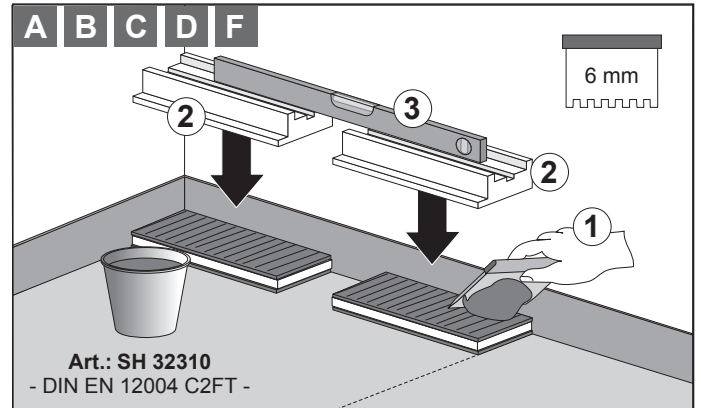
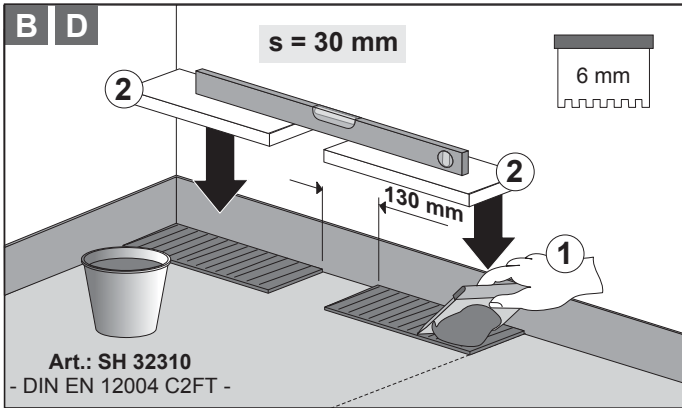
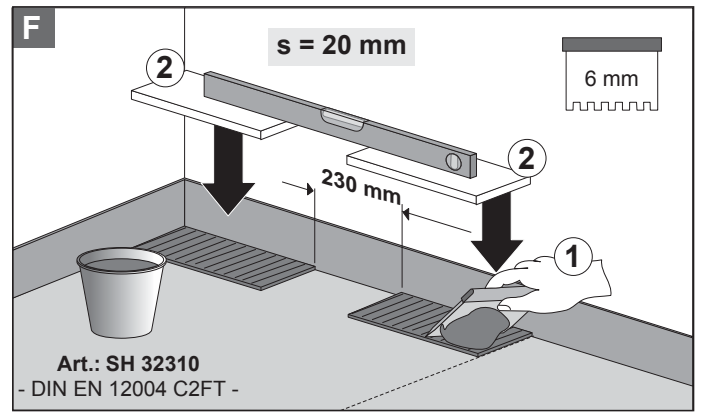
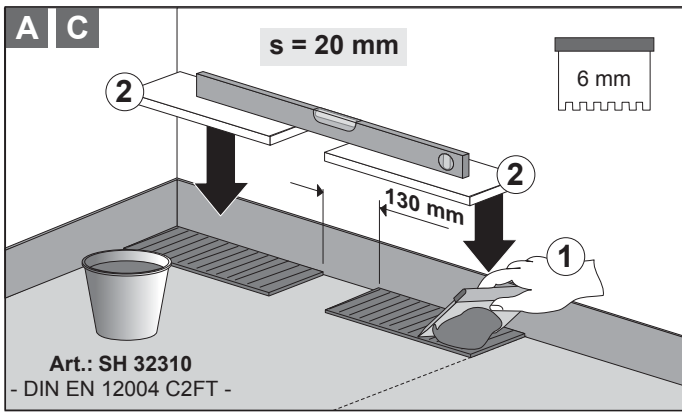


$(L - 130 \text{ mm}) : 2 = X$

ESS Modulo M-1 (L - 230 mm) : 2 = X



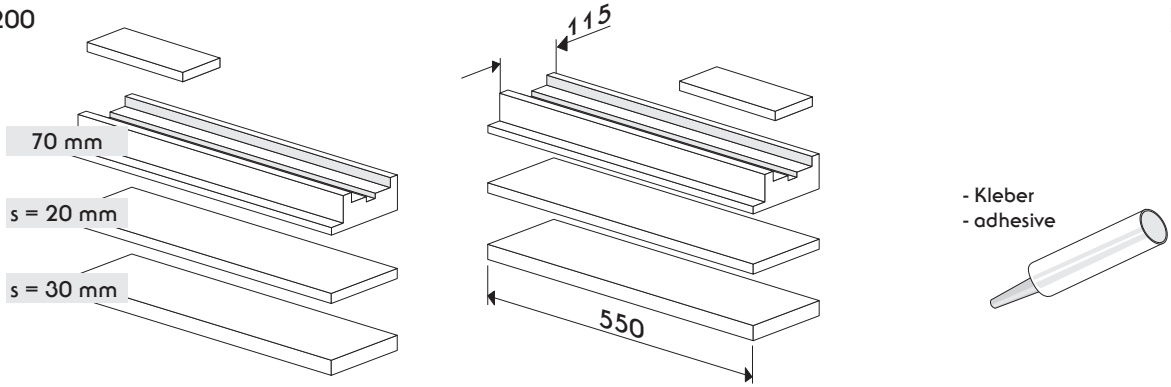




# EBA 40072 ESS (Stand 19.02.2013)

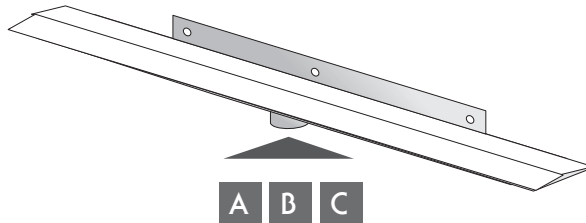
Art.: RTEE1200

[mm]

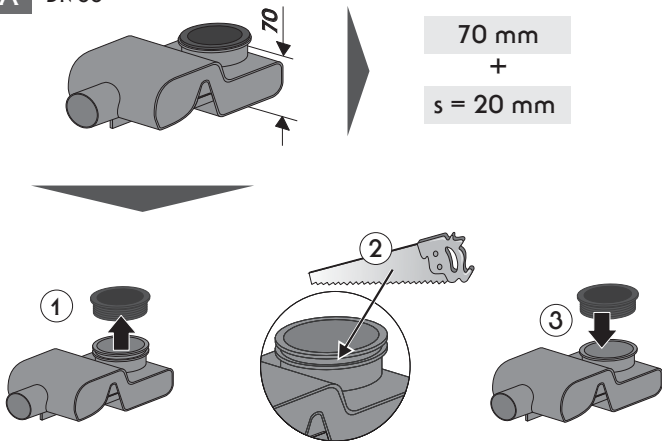


ESS Art. Modulo M-2-Wand

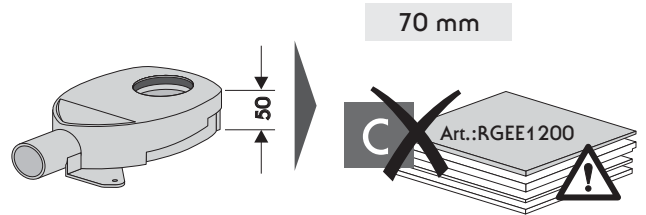
**A B** DN 50  
**C** DN 40



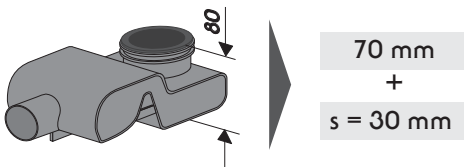
**A** DN 50



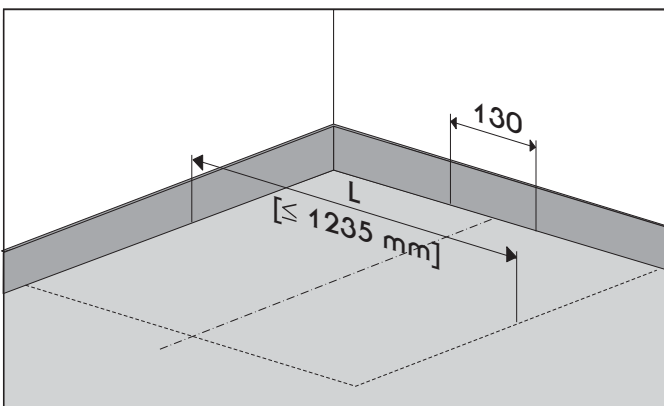
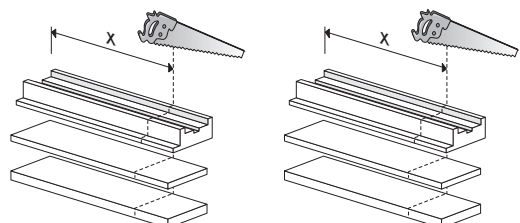
**C** DN 40

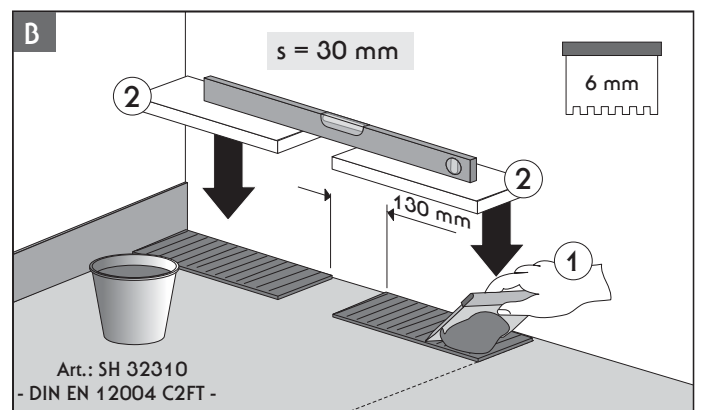
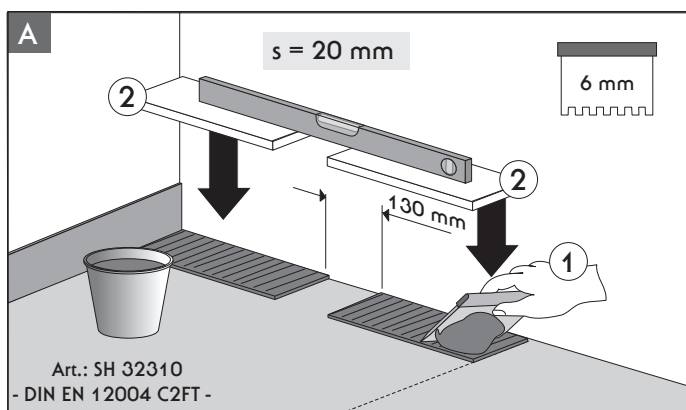
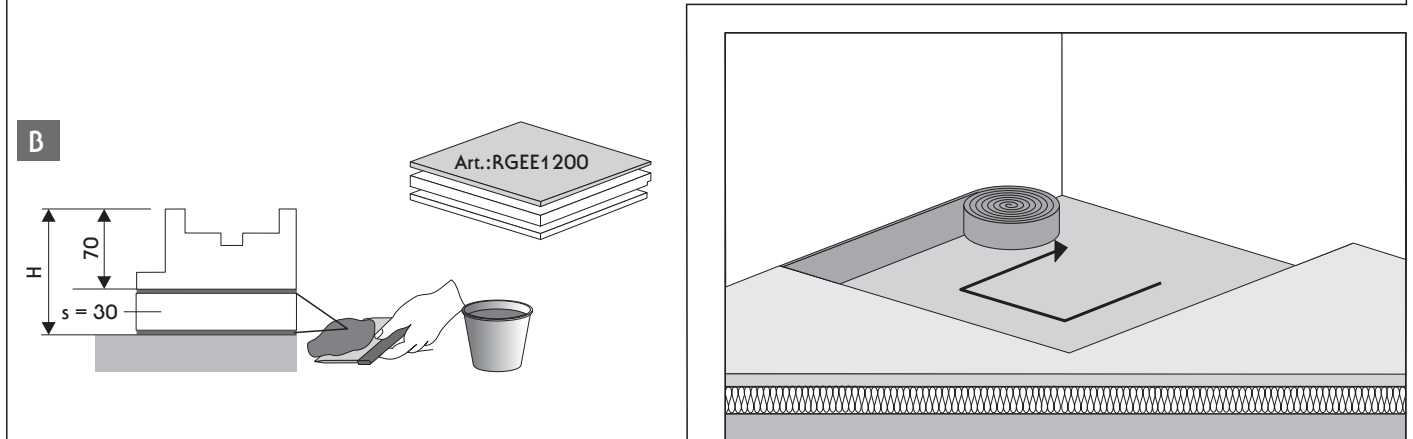
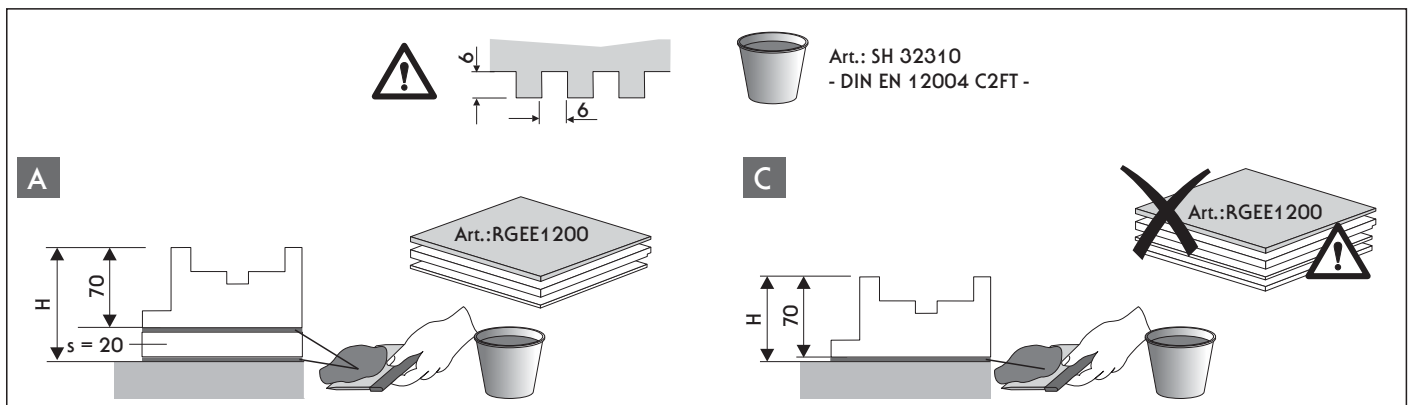
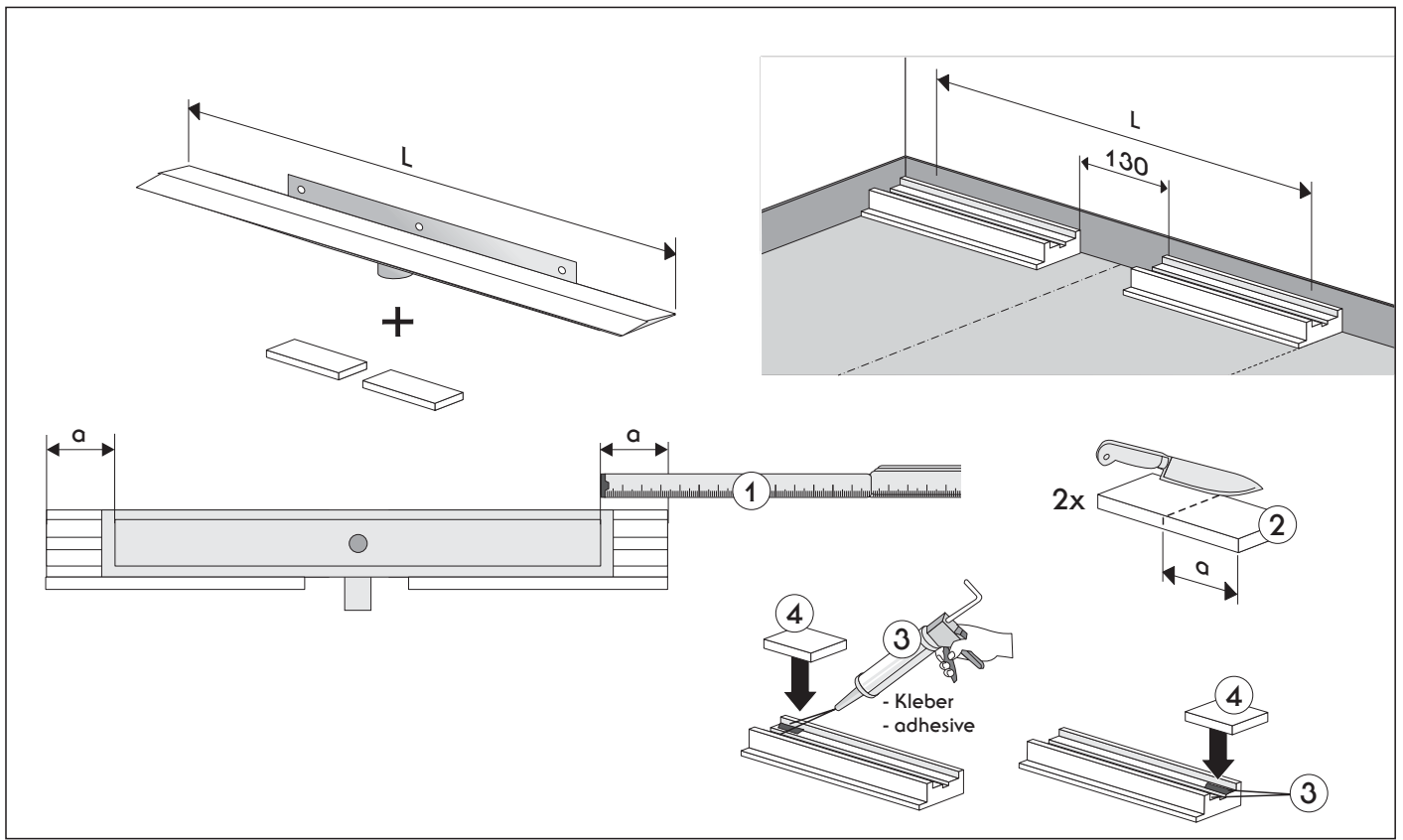


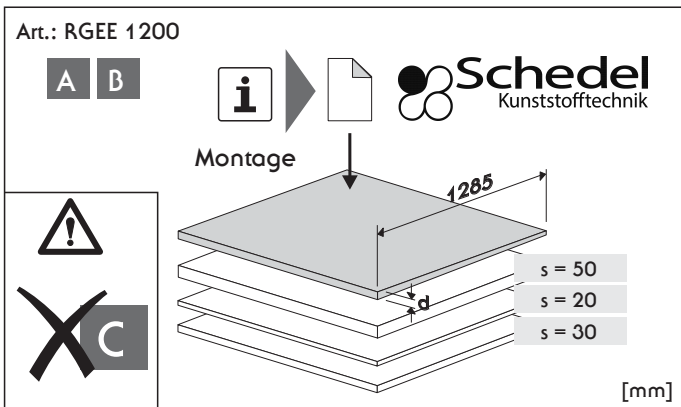
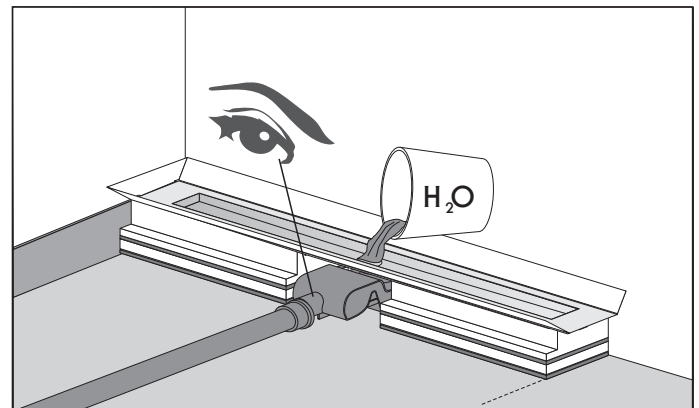
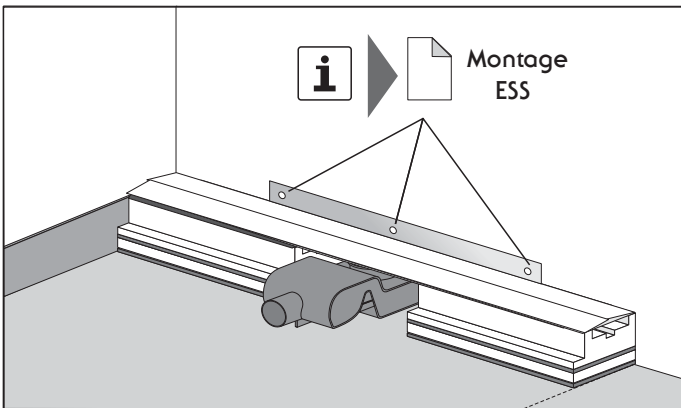
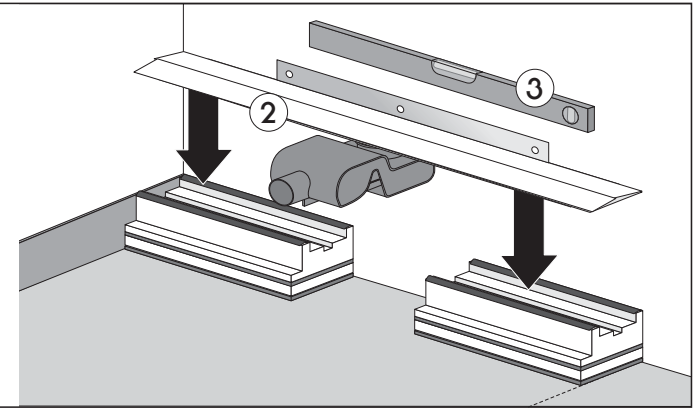
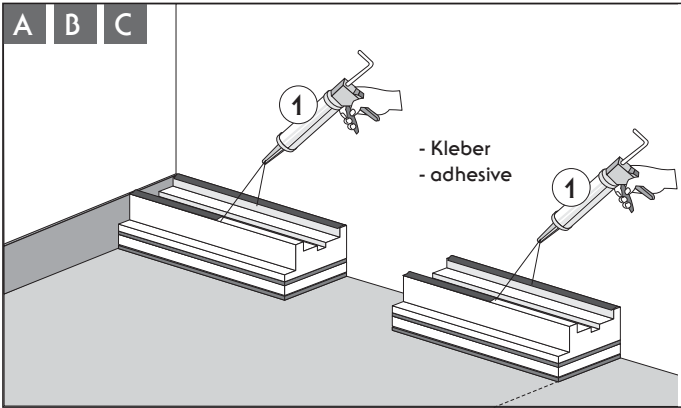
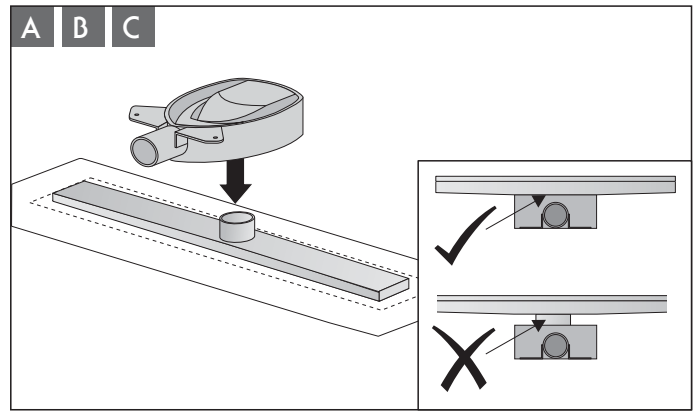
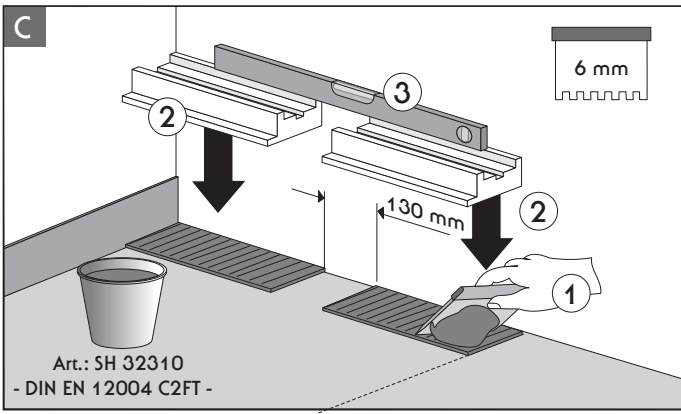
**B** DN 50



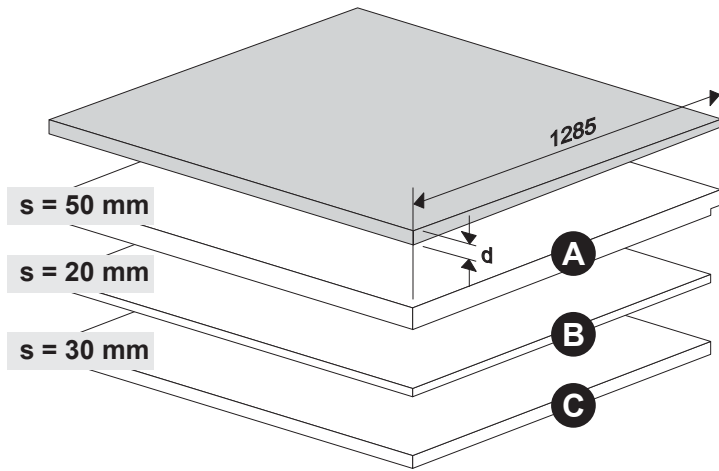
$(L - 130 \text{ mm}) : 2 = X$



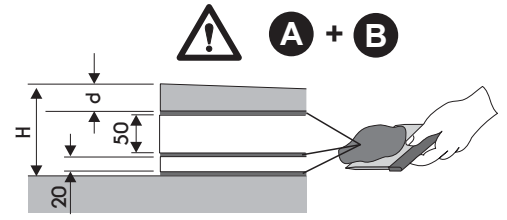




Art.: RGEE1200

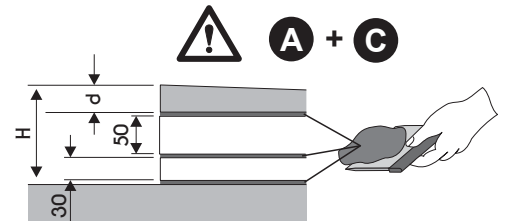


**A C F**

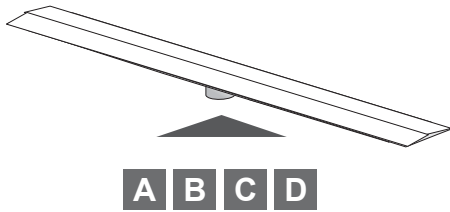


Art.: SH 32310  
- DIN EN 12004 C2FT -

**B D**

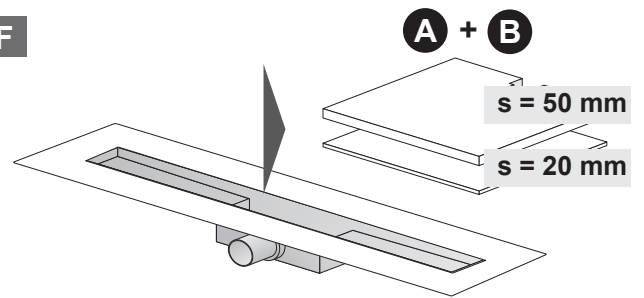


ESS Art. Modulo M-2  
ESS Standard

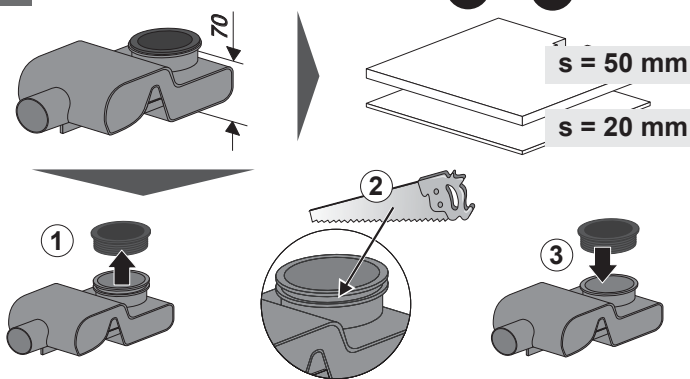


ESS Art. Modulo M-1

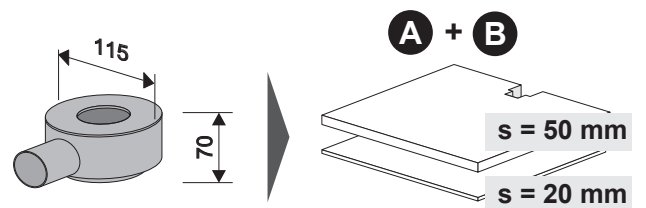
**F**



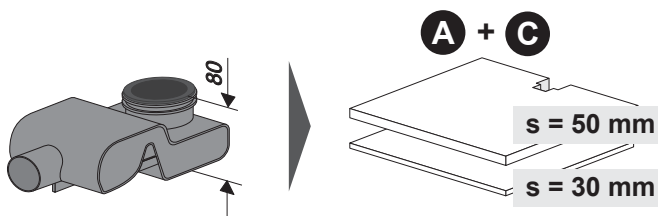
**A** DN 50



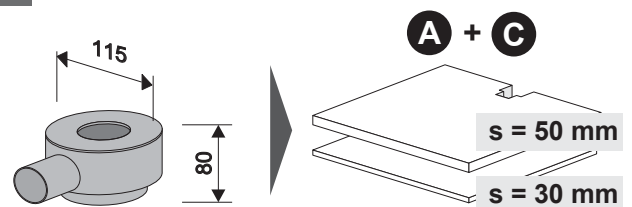
**C** DN 50

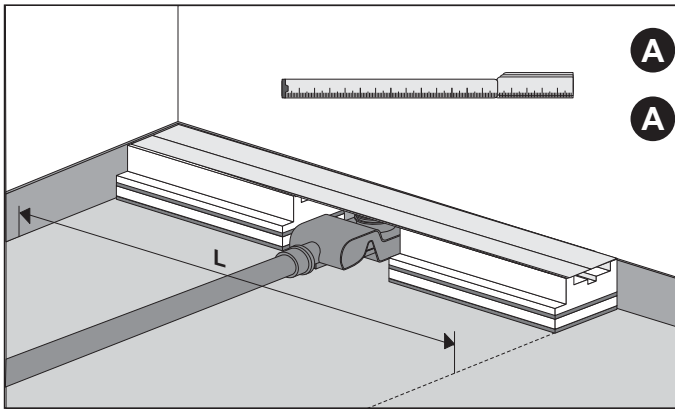


**B** DN 50

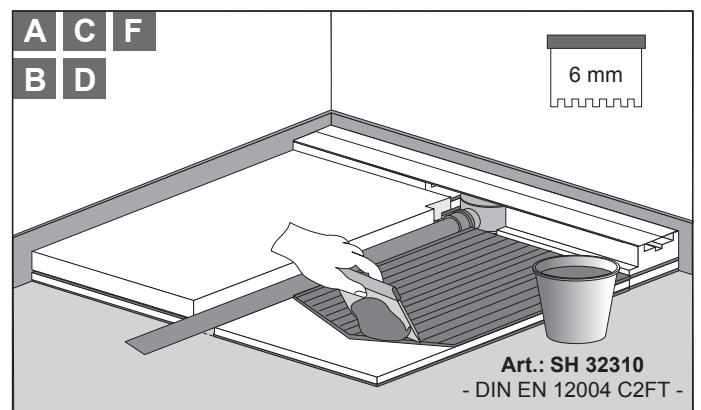
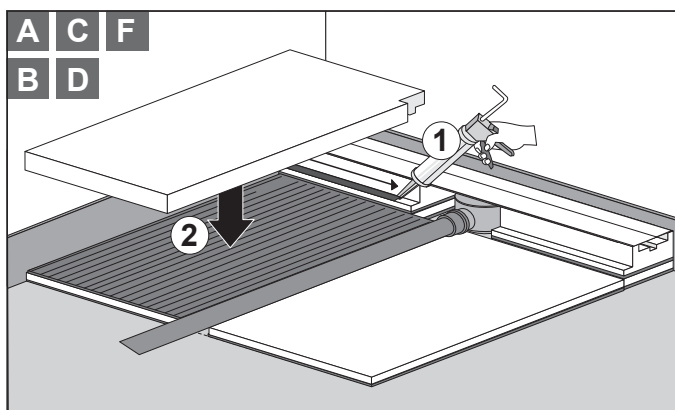
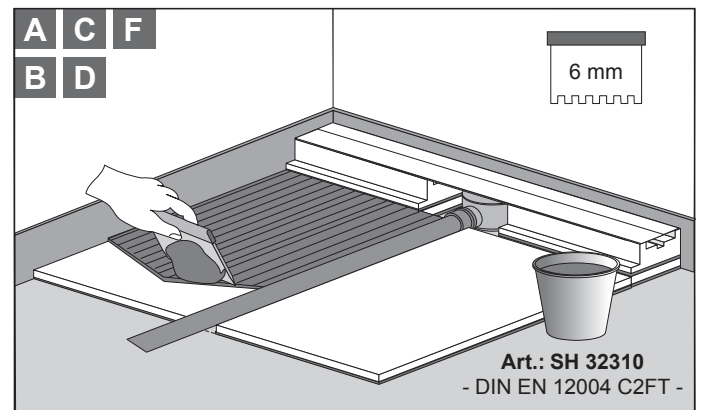
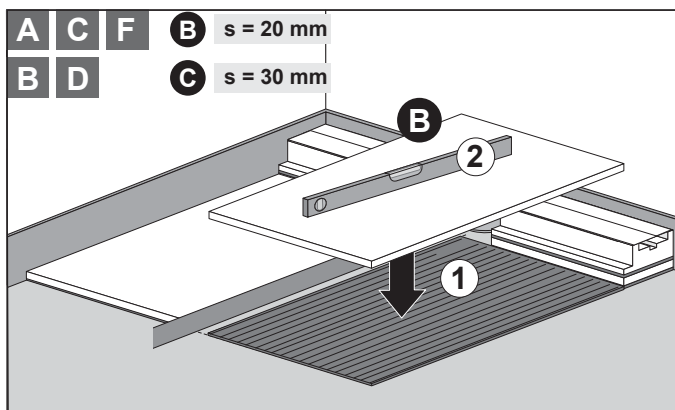
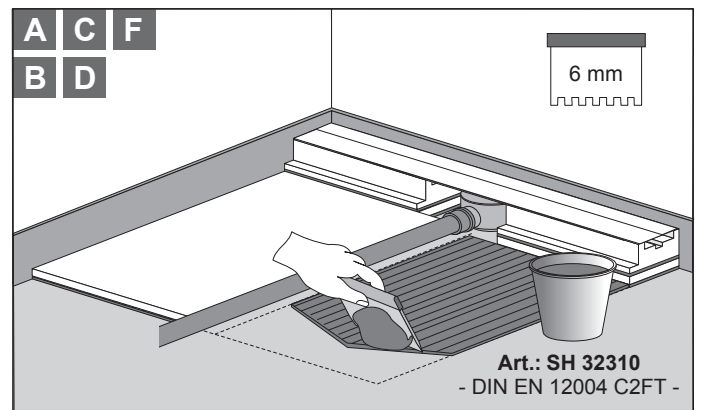
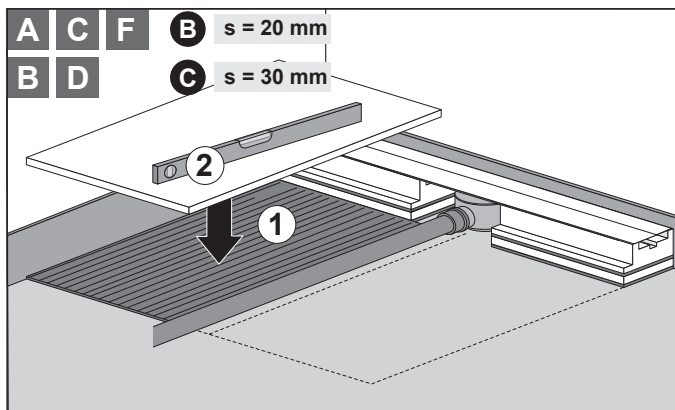
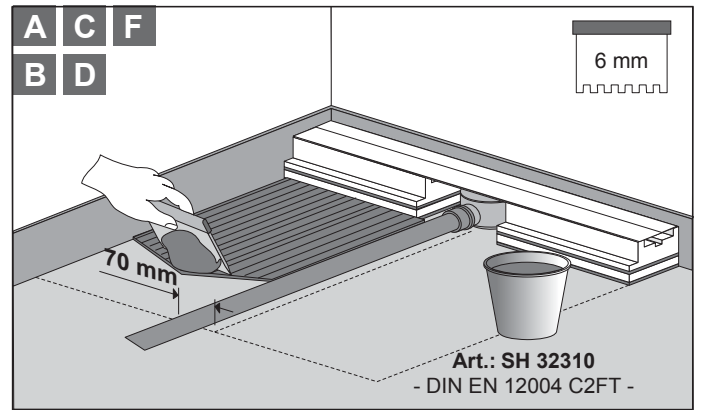
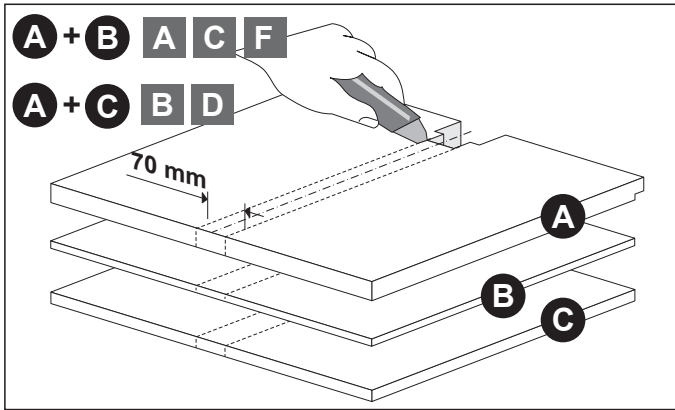
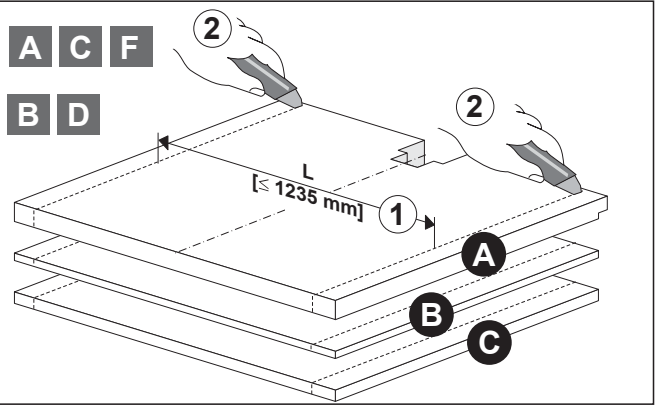


**D** DN 50

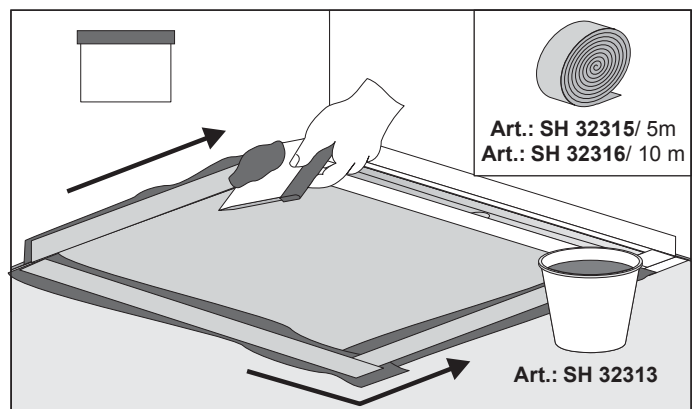
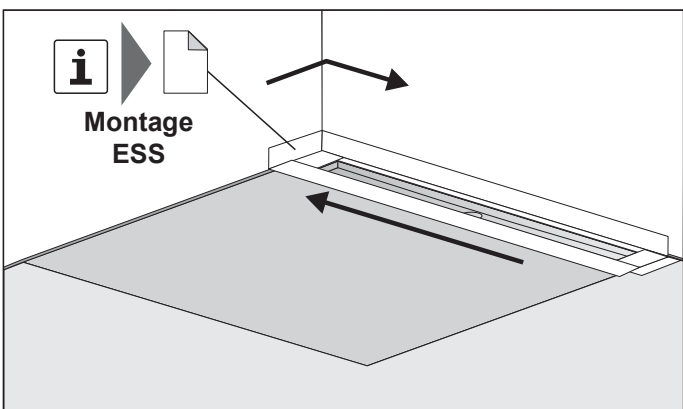
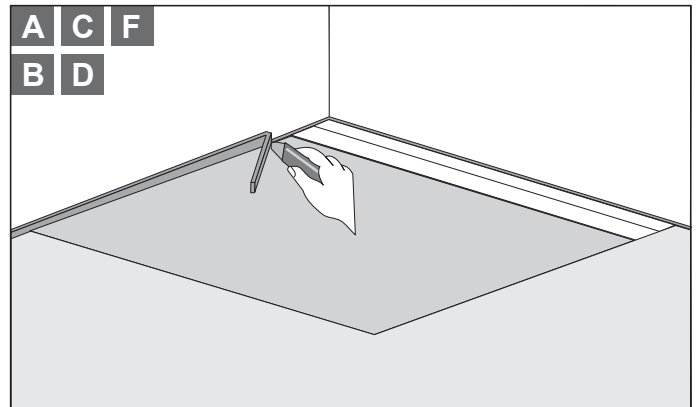
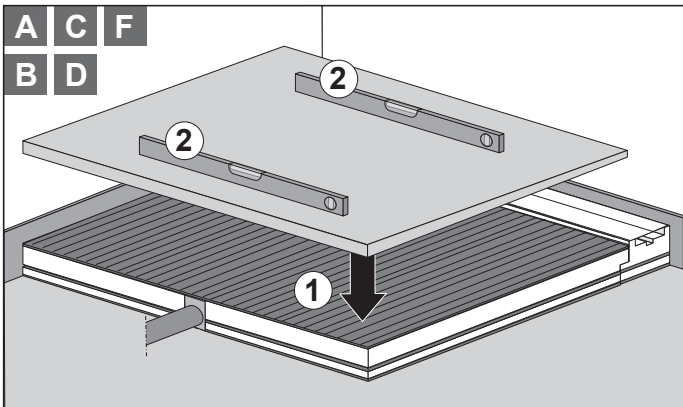
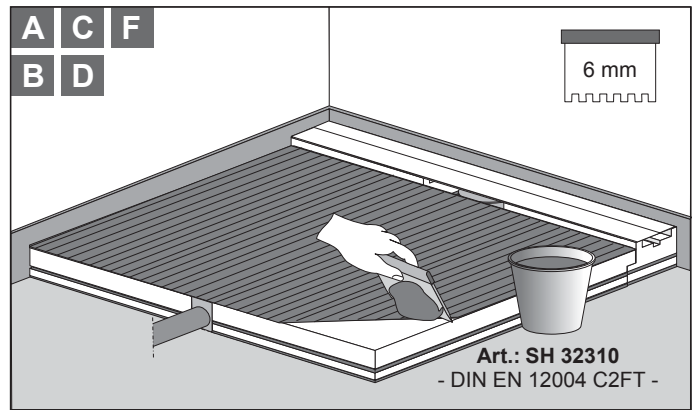
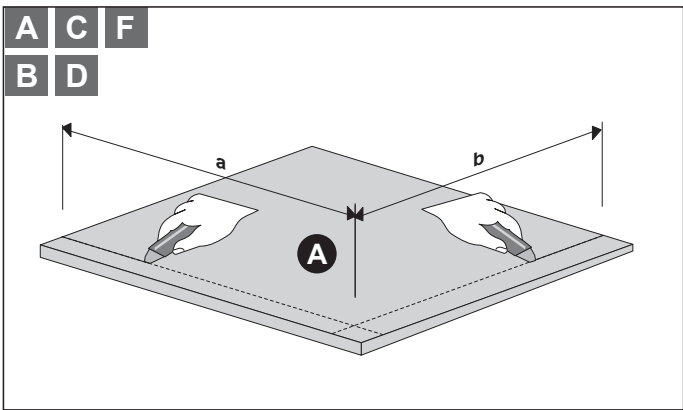
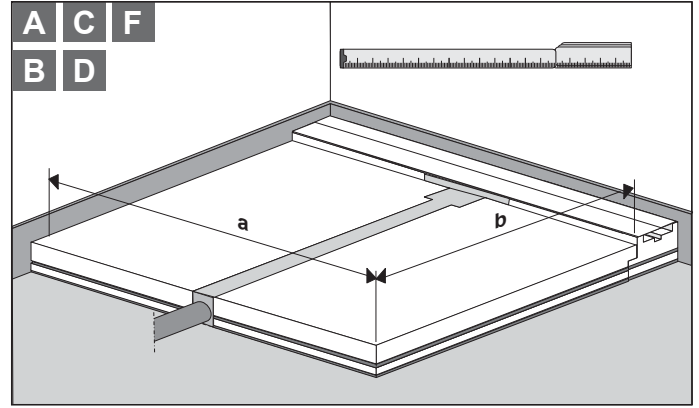
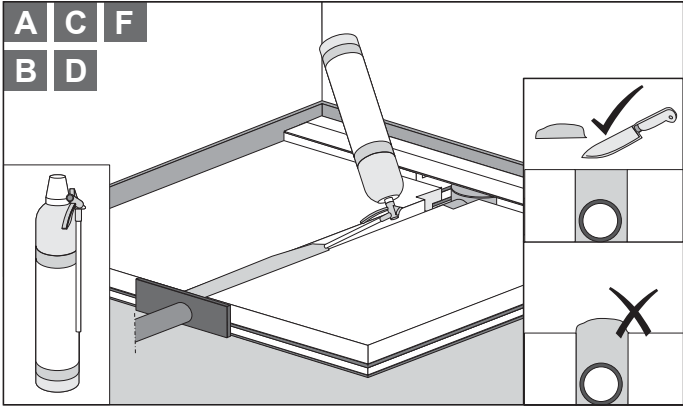
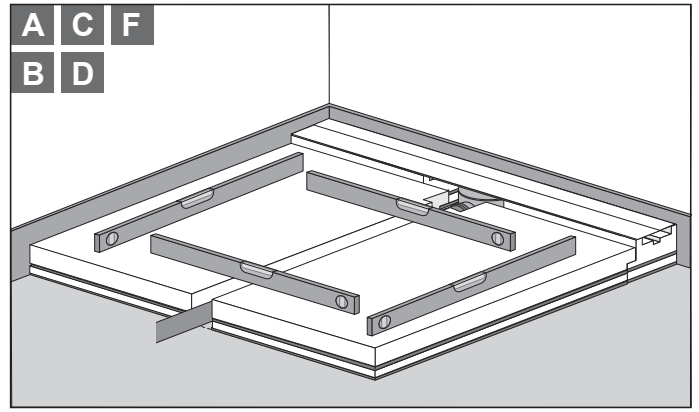
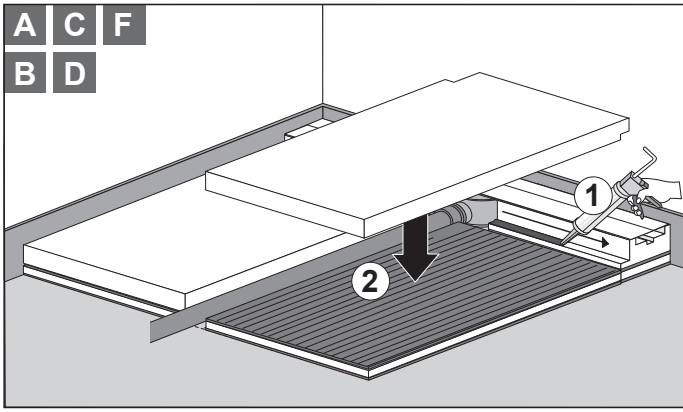


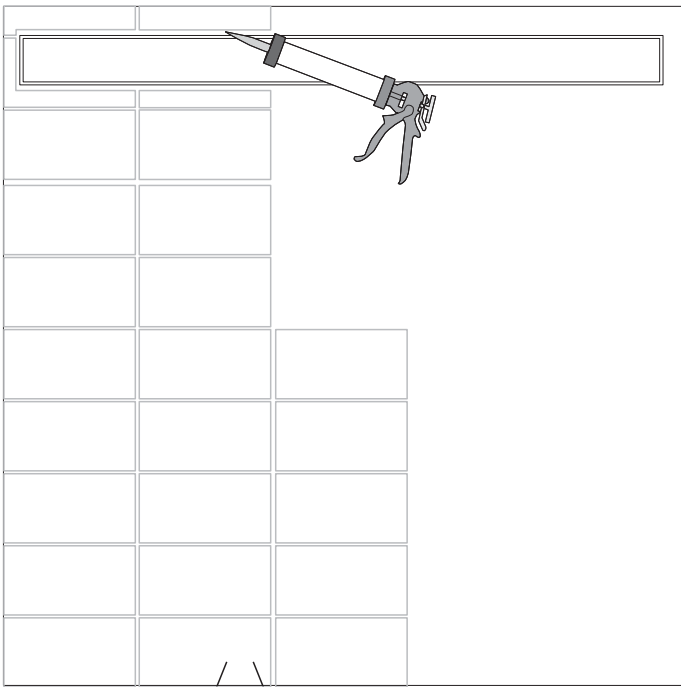


A + B	A C F
A + C	B D









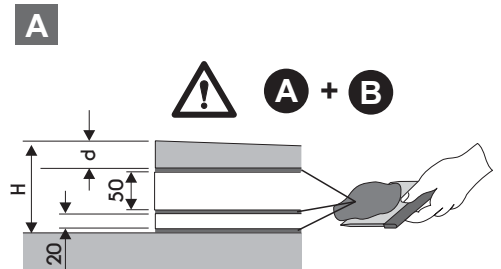
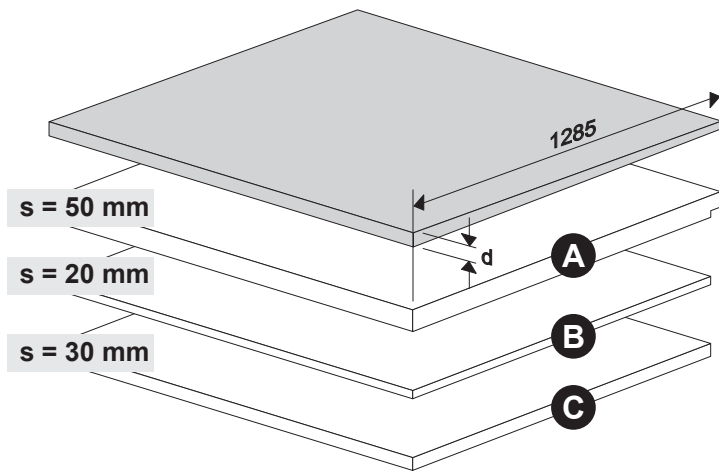
$\geq 2 \times 2 \text{ cm}$



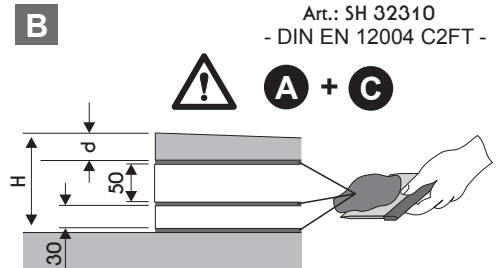
$\geq 5 \times 5 \text{ cm}$



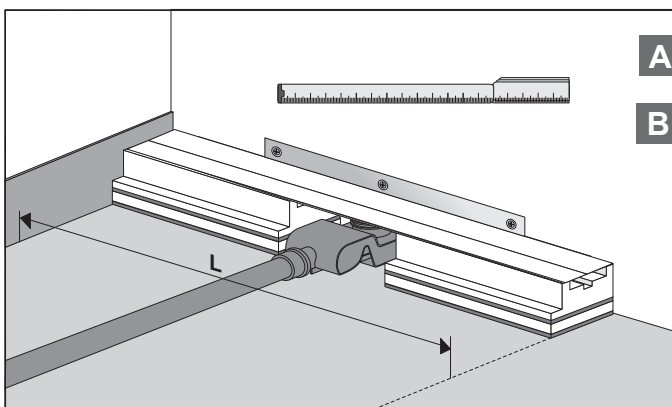
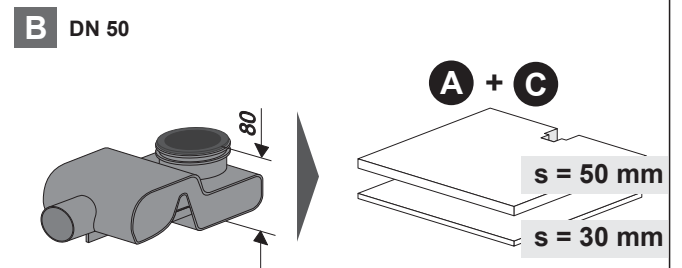
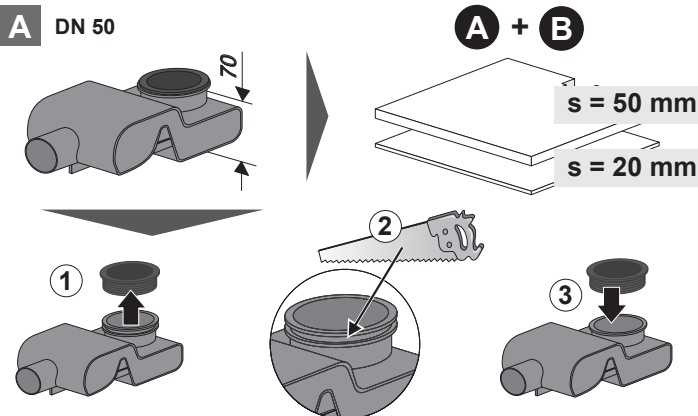
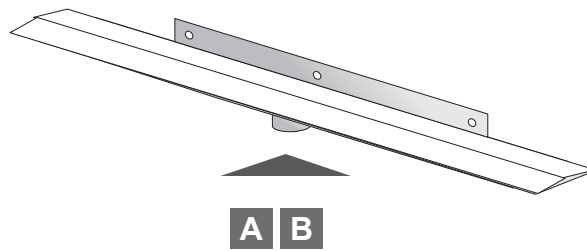
Art.: RGEE1200



Art.: SH 32310  
- DIN EN 12004 C2FT -



ESS Art. Modulo M-2-Wand



A A + B  
B A + C

