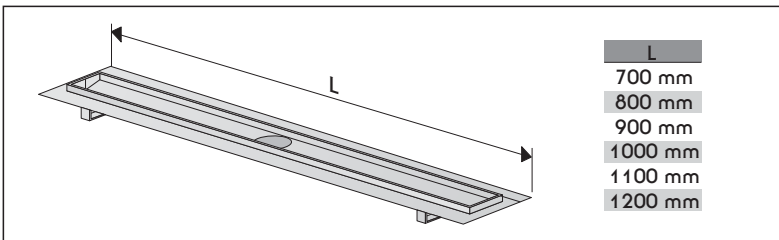
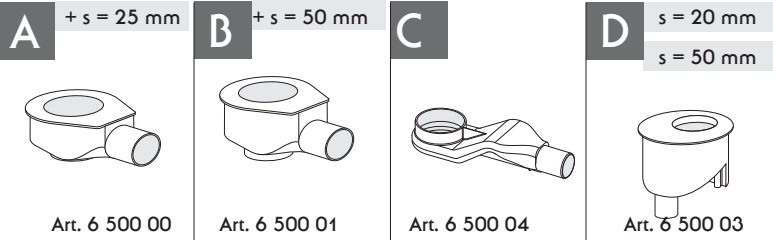
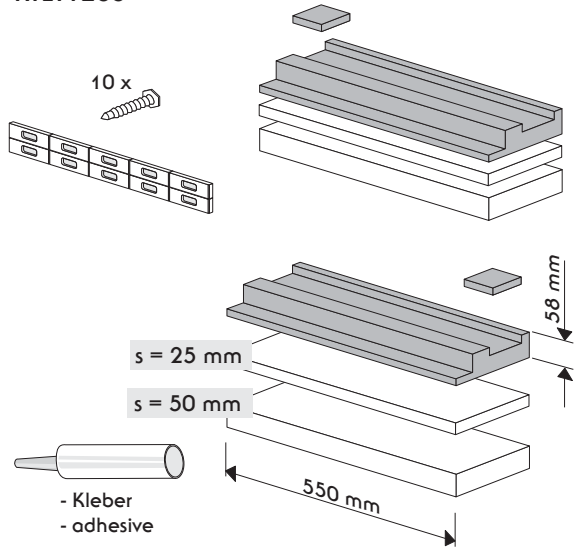


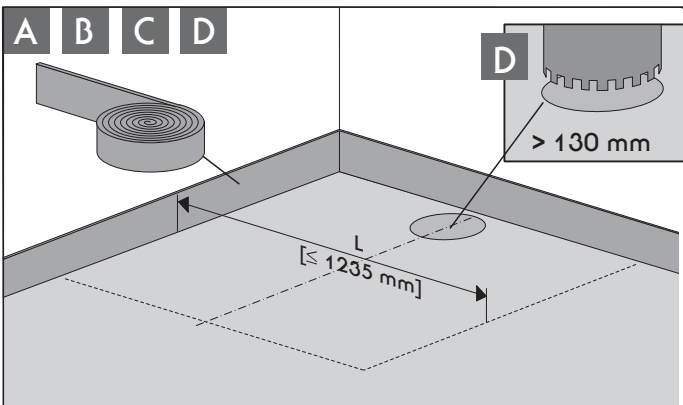
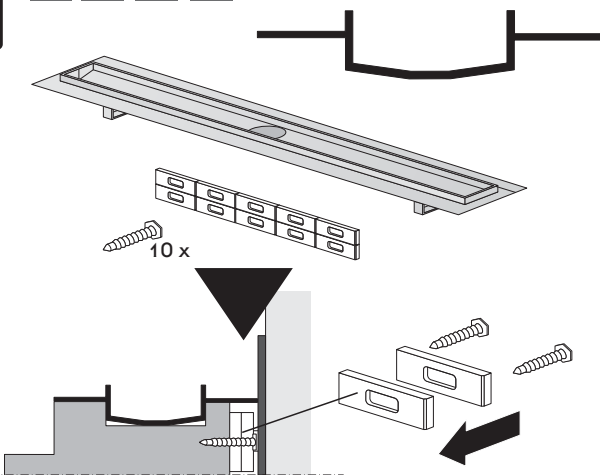
EBA 40431 RTET STANDARD (Stand 11.03.2013)



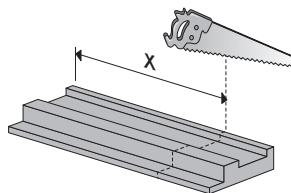
RTET1235



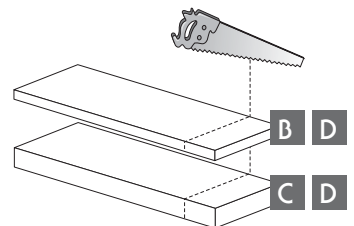
A B C D



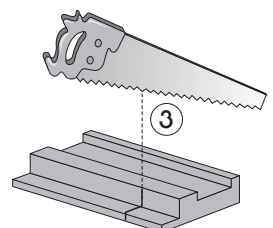
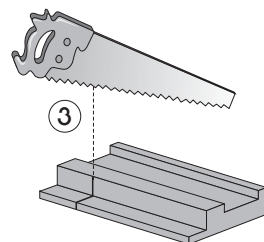
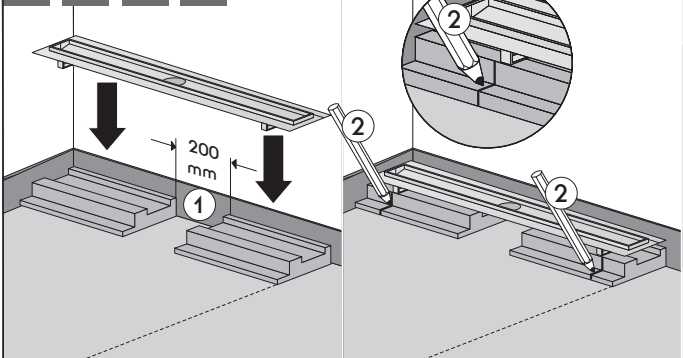
$(L - 200 \text{ mm}) : 2 = X$

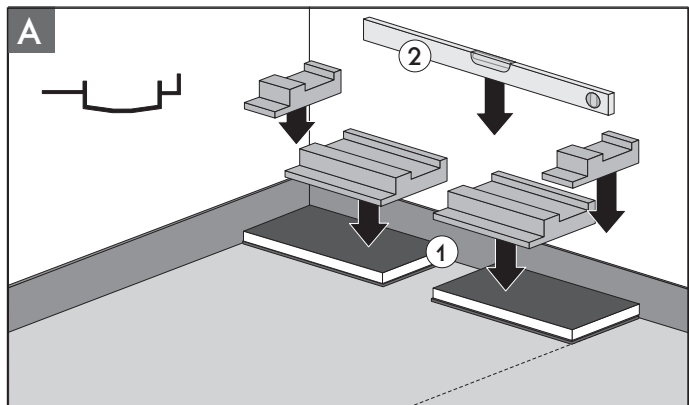
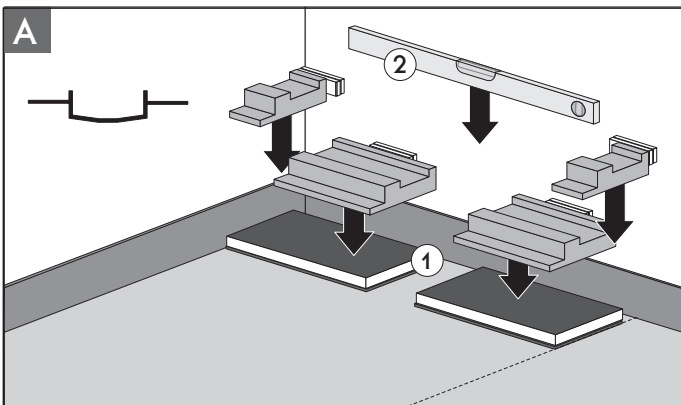
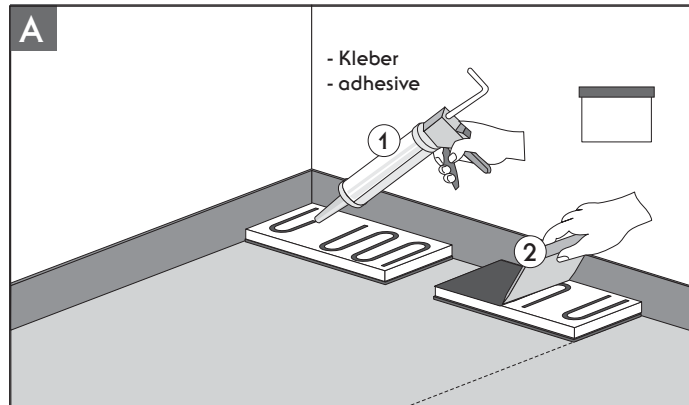
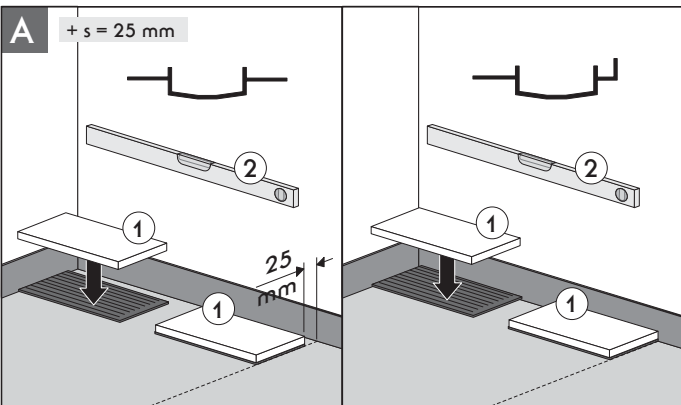
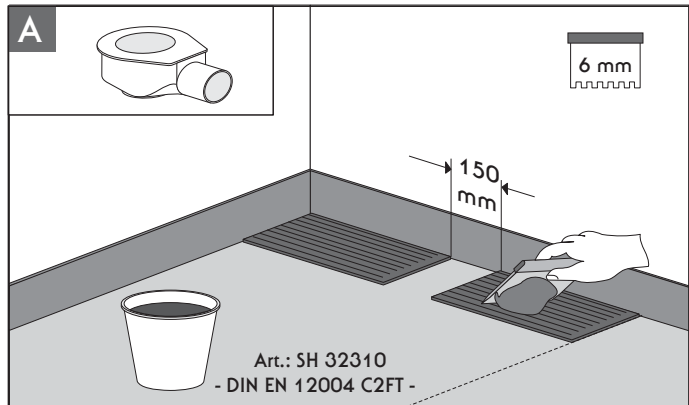
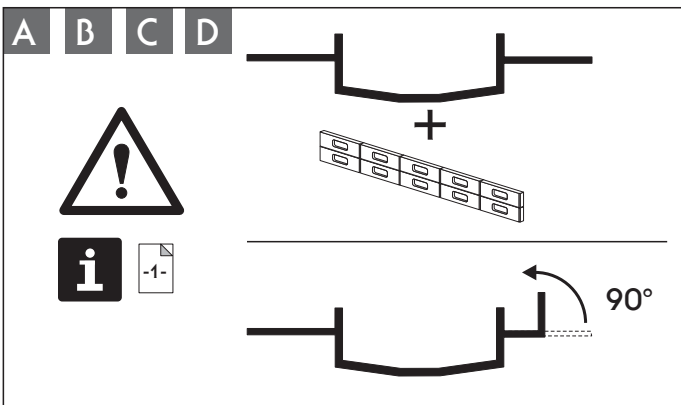
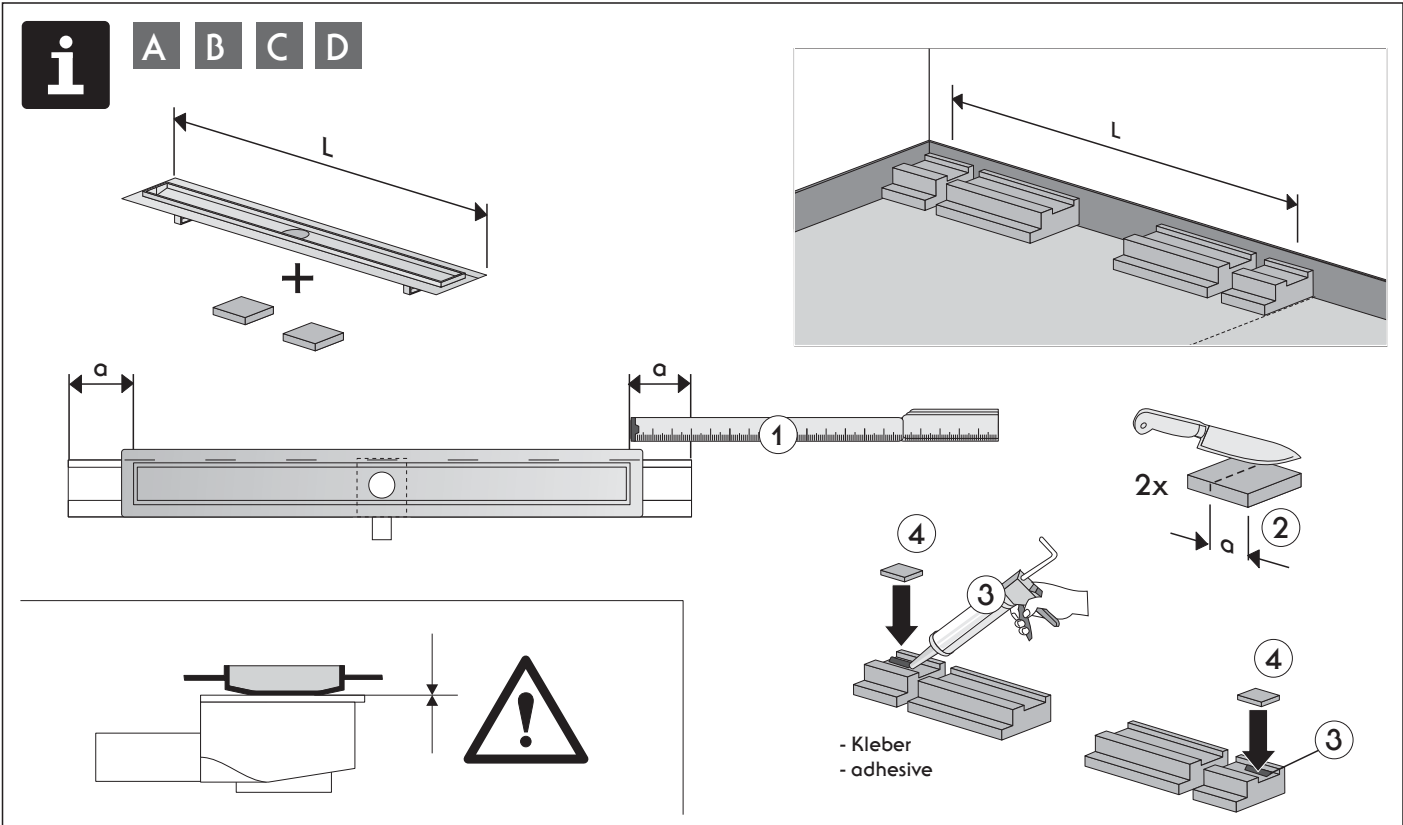


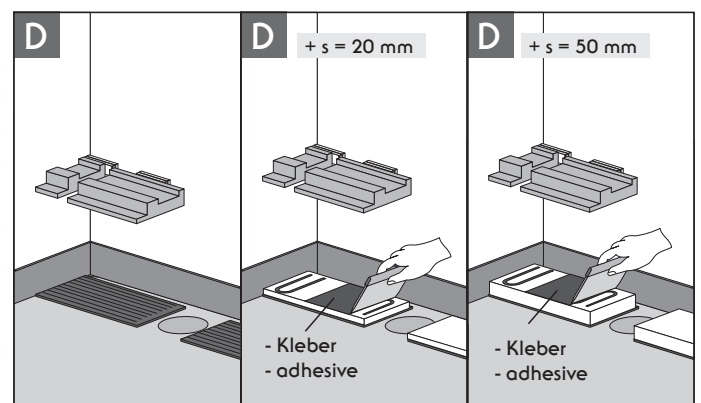
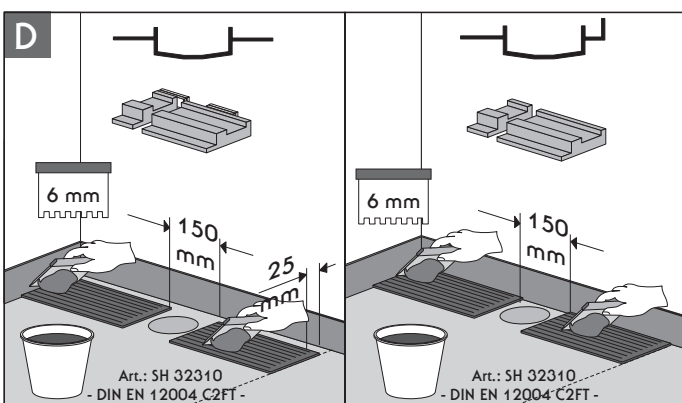
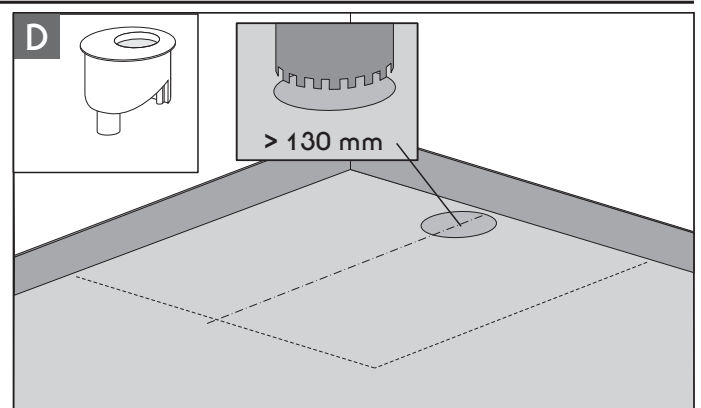
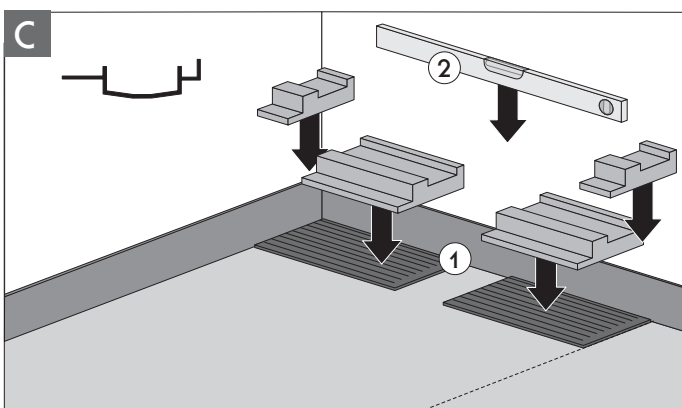
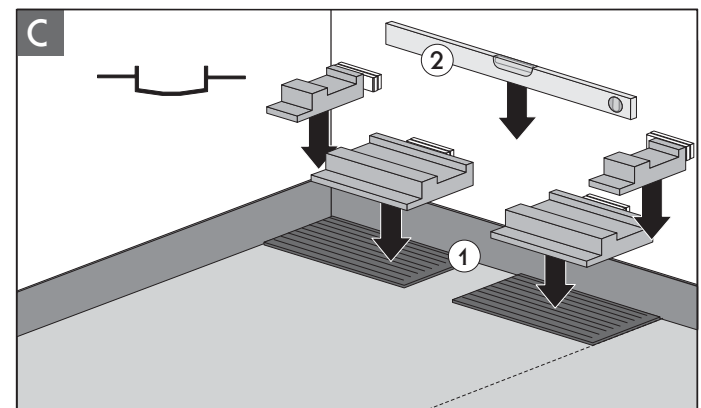
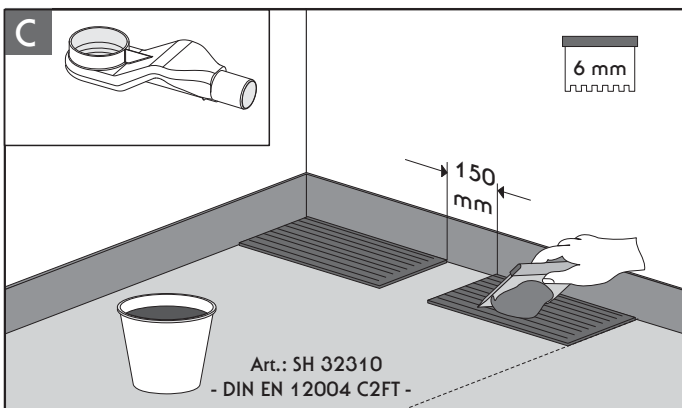
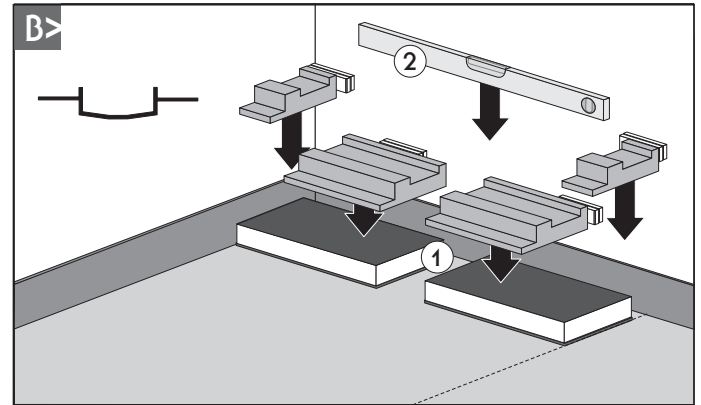
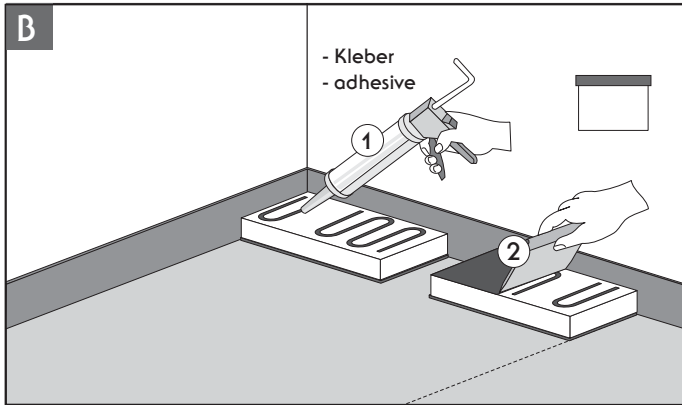
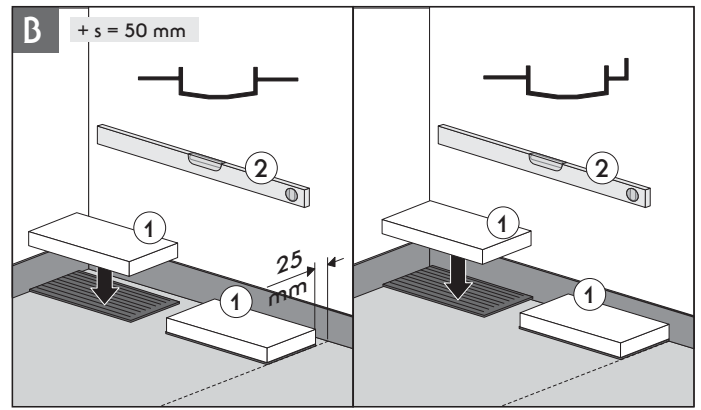
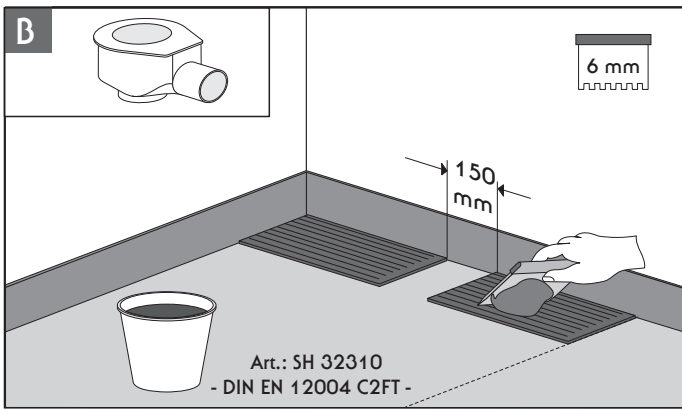
$(L - 150 \text{ mm}) : 2 = X$

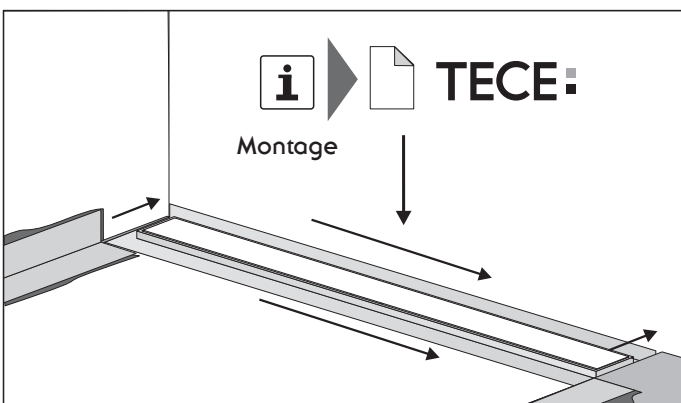
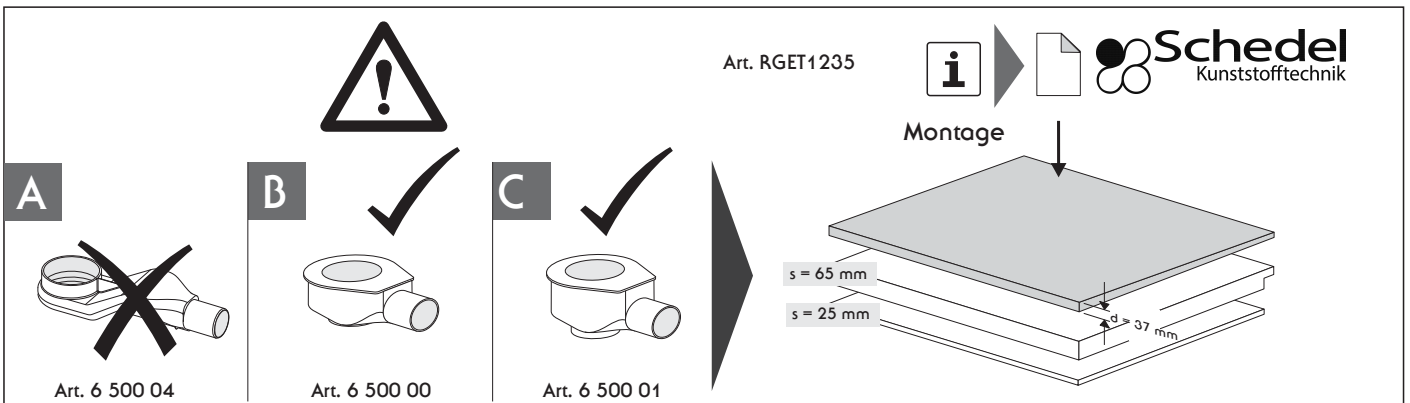
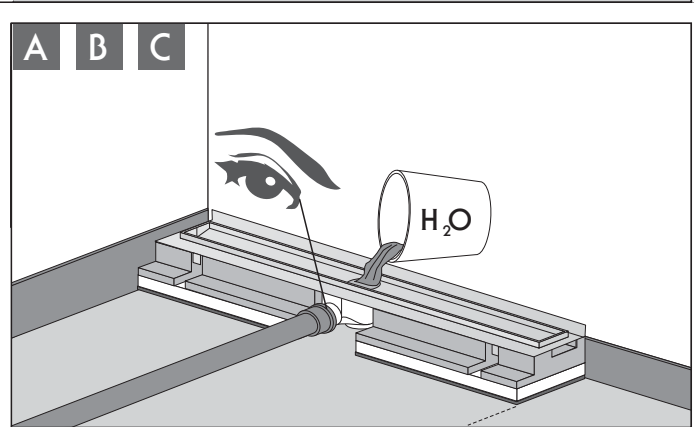
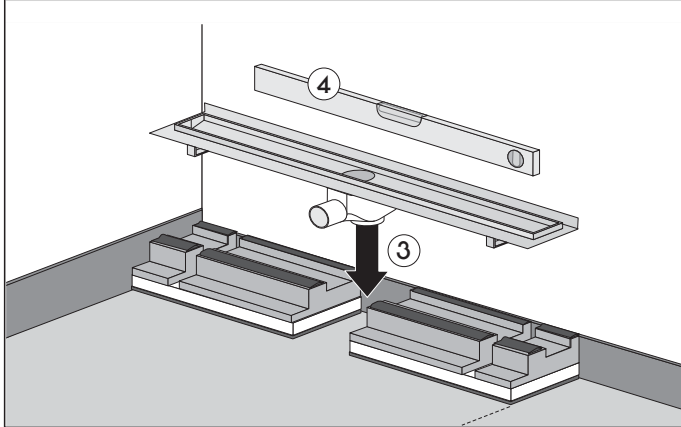
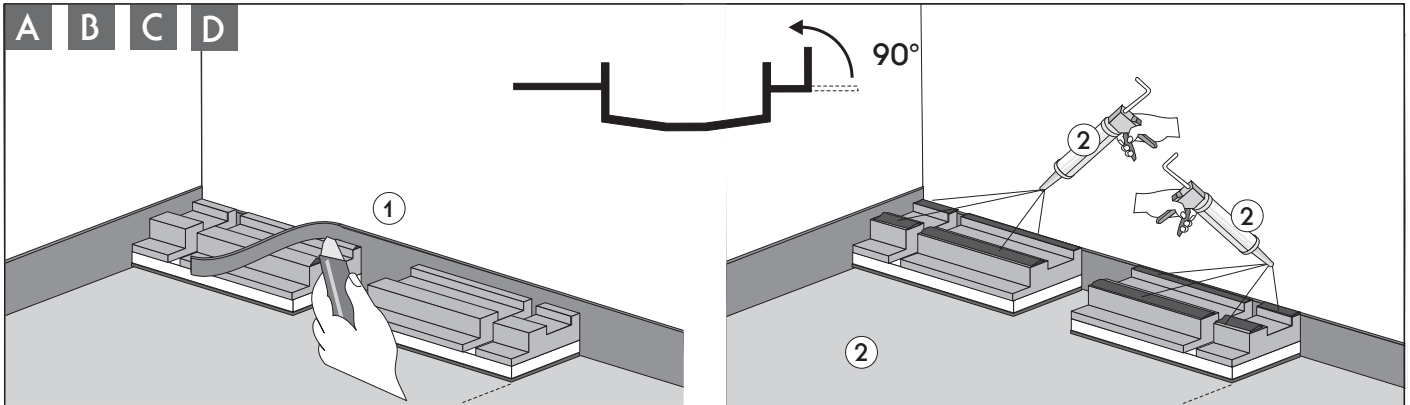
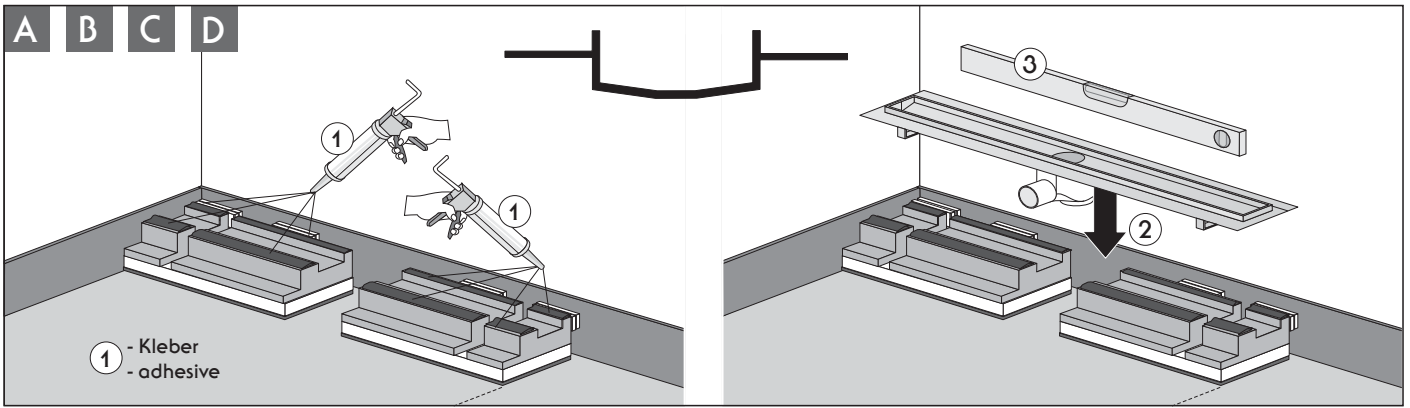


A B C D

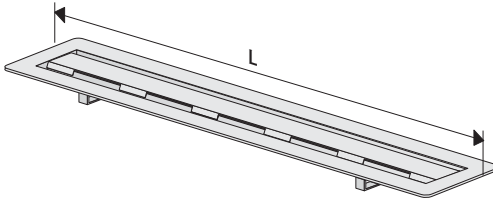






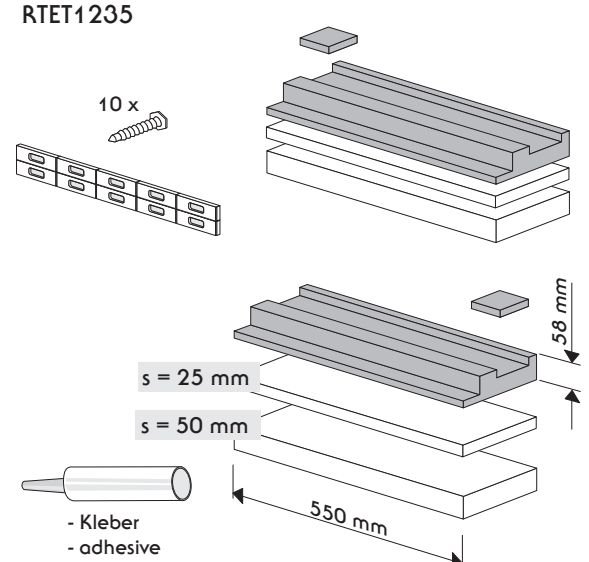


EBA 40432 RTET NATURSTEIN (Stand 24.03.2013)



L
735 mm
835 mm
935 mm
1035 mm
1235 mm
1535 mm

RTET1235



10 x


s = 25 mm

s = 50 mm

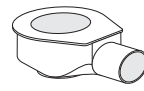
58 mm

550 mm

- Kleber
- adhesive




A + s = 25 mm




Art. 6 500 00

B + s = 50 mm




Art. 6 500 01

C



Art. 6 500 04

D s = 20 mm
s = 50 mm



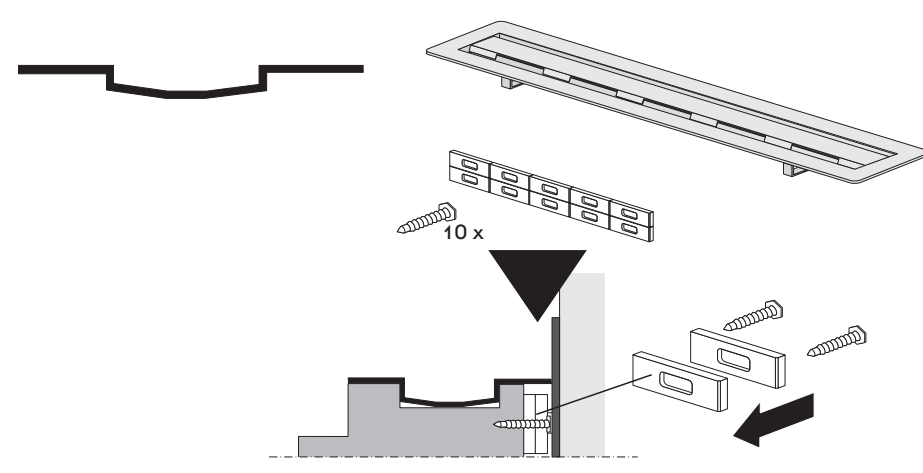
Art. 6 500 03

i

A

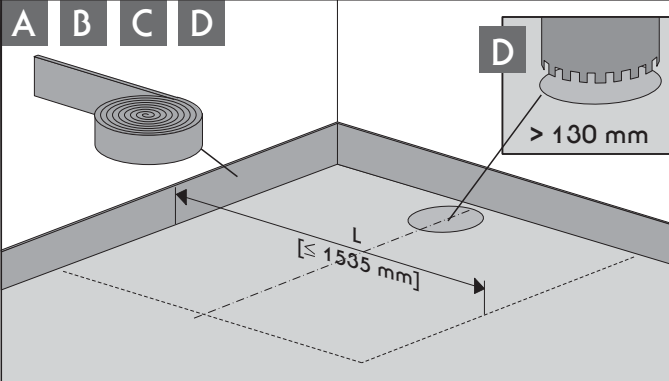
B

C



10 x

A B C D



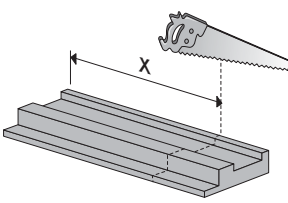
L

[≤ 1535 mm]

D

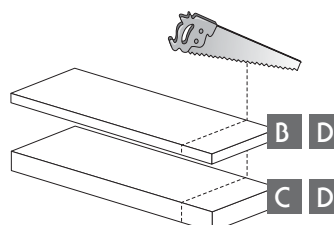
> 130 mm

$(L - 200 \text{ mm}) : 2 = X$



X

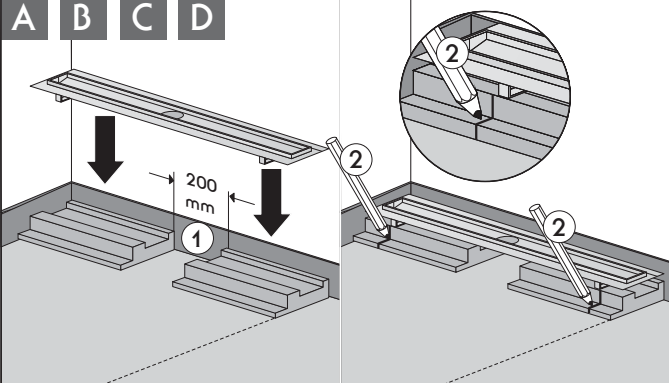
$(L - 150 \text{ mm}) : 2 = X$



B D

C D

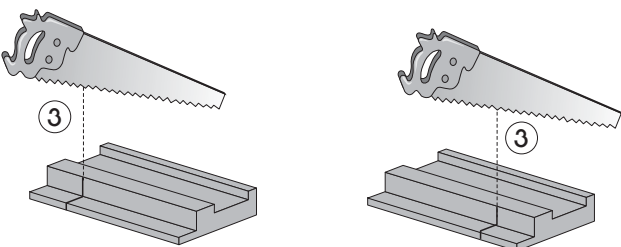
A B C D



200 mm

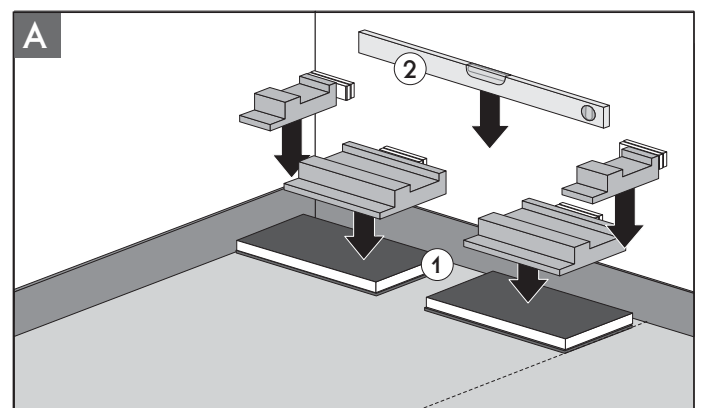
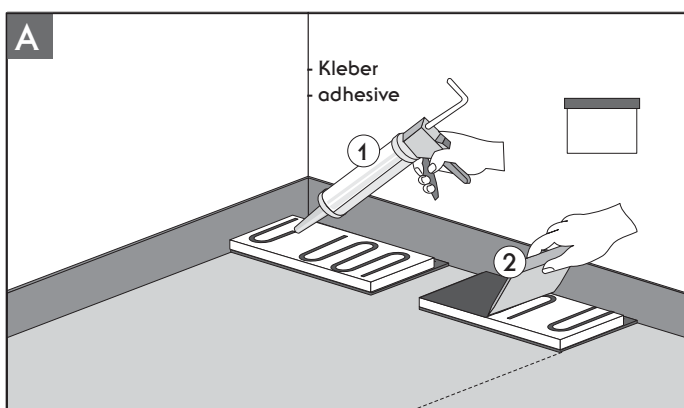
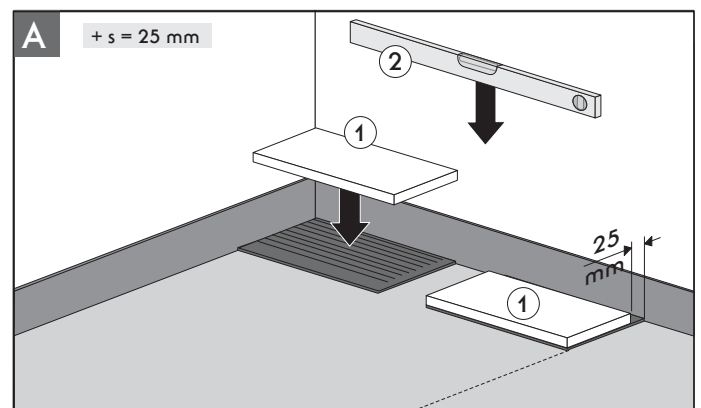
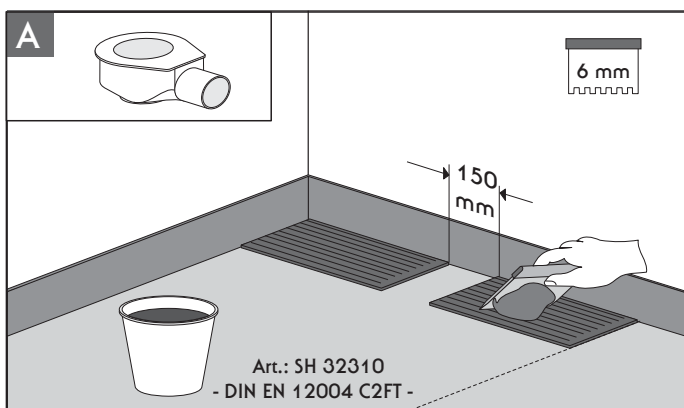
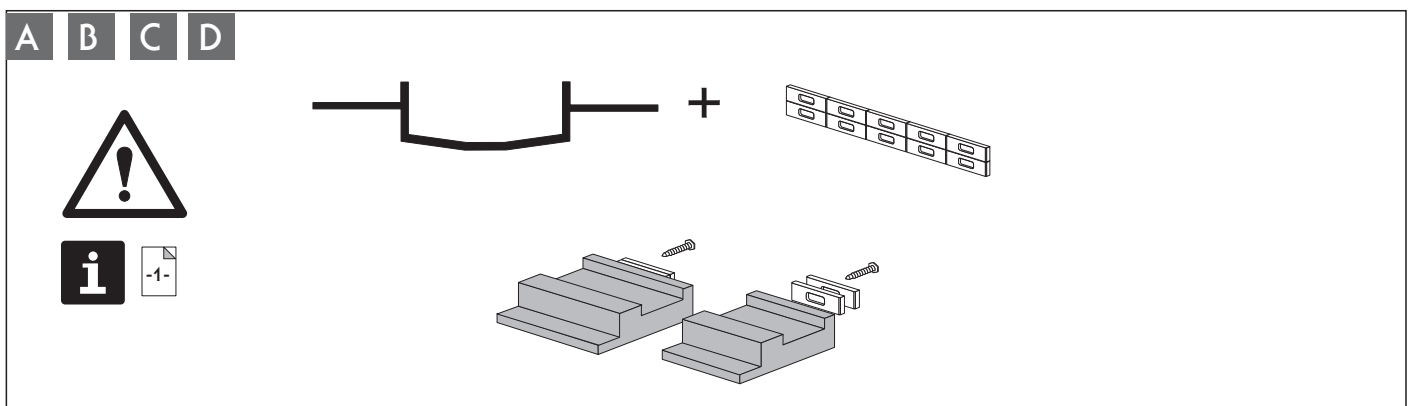
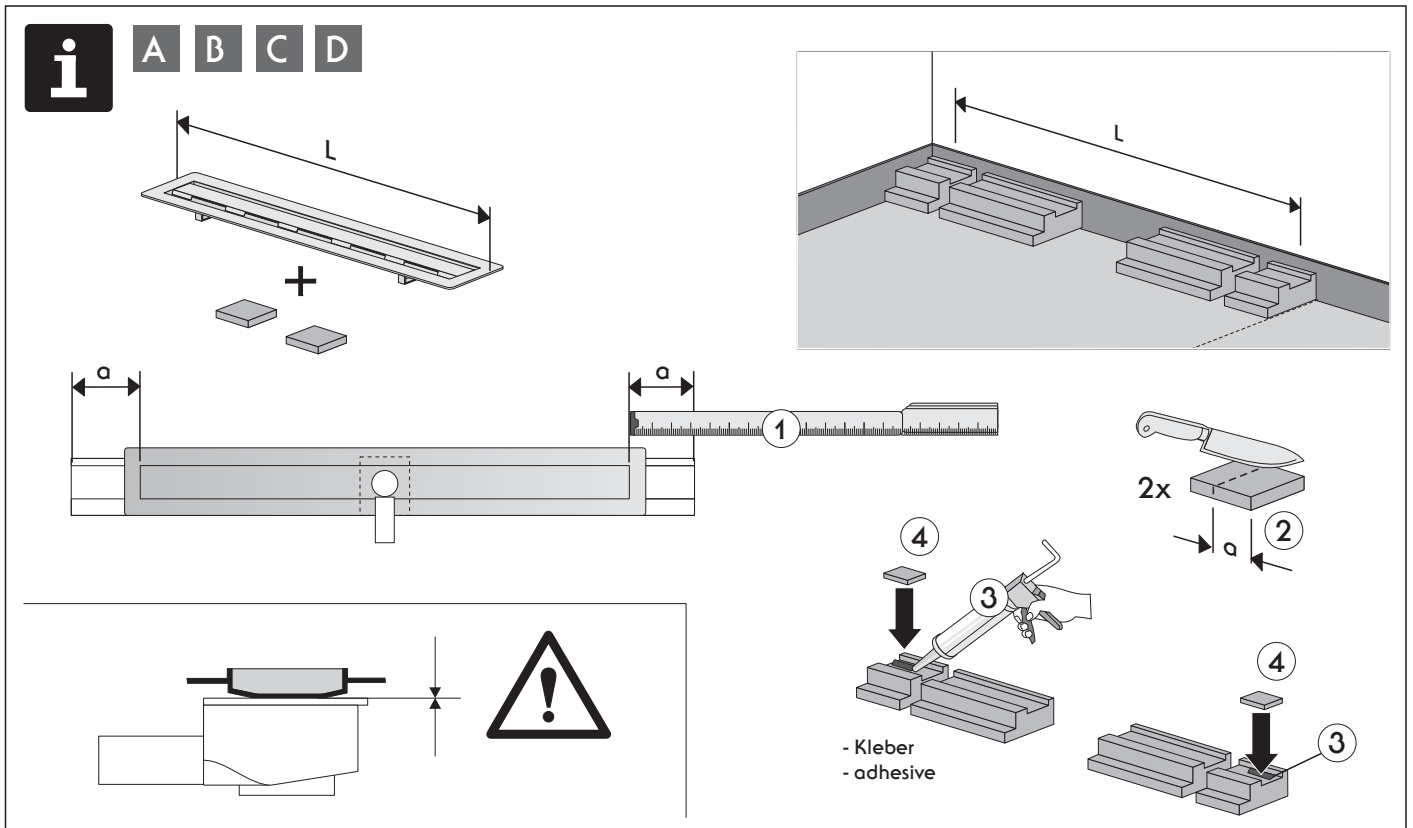
1

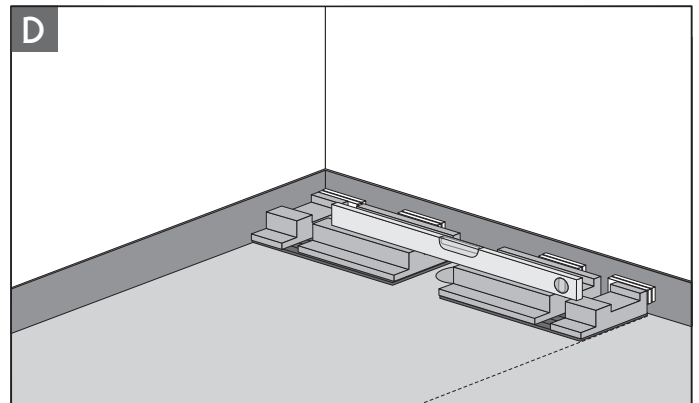
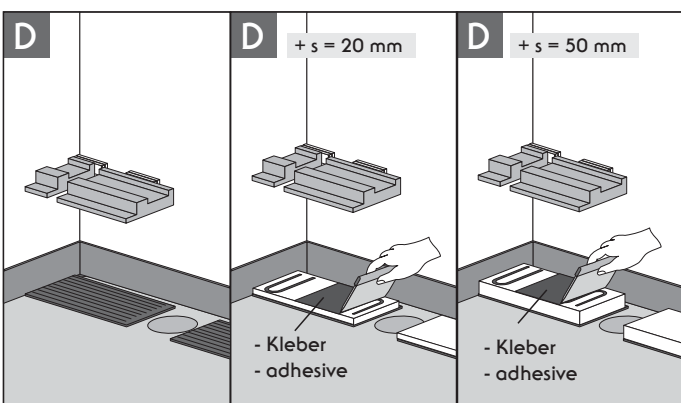
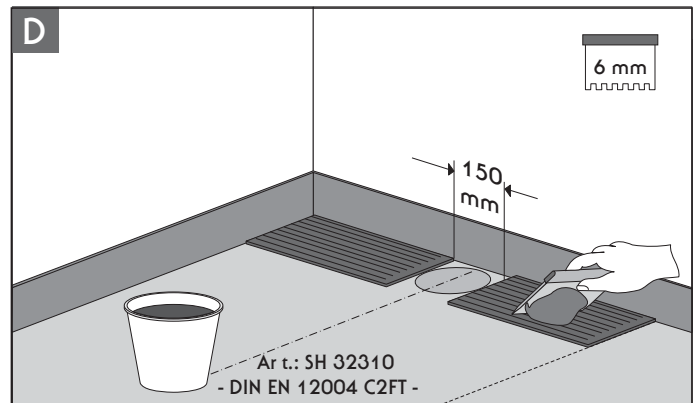
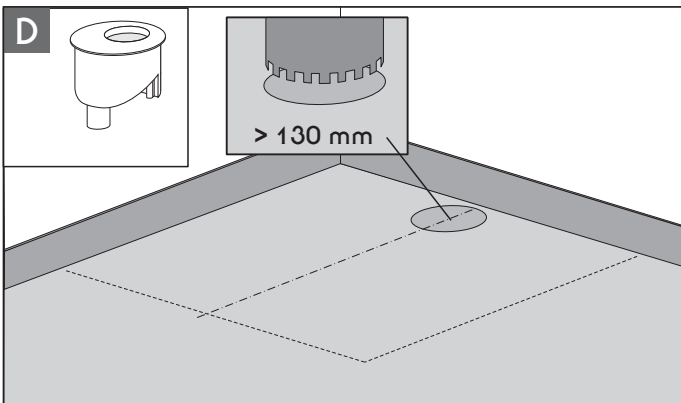
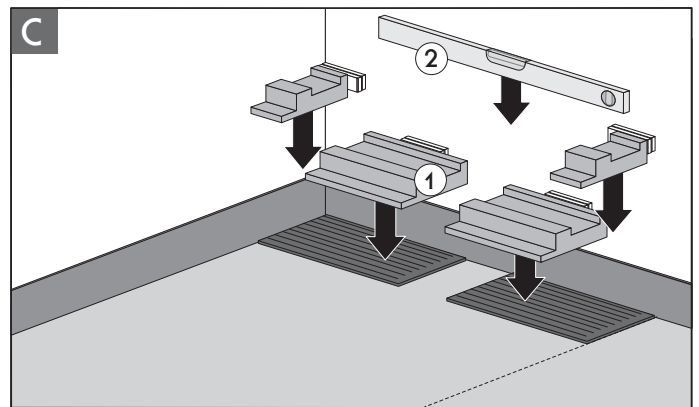
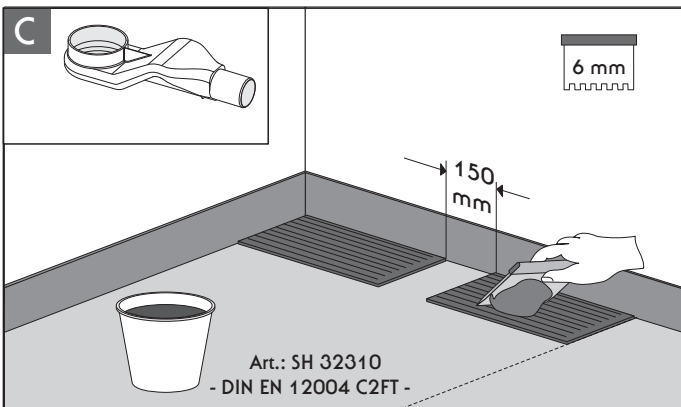
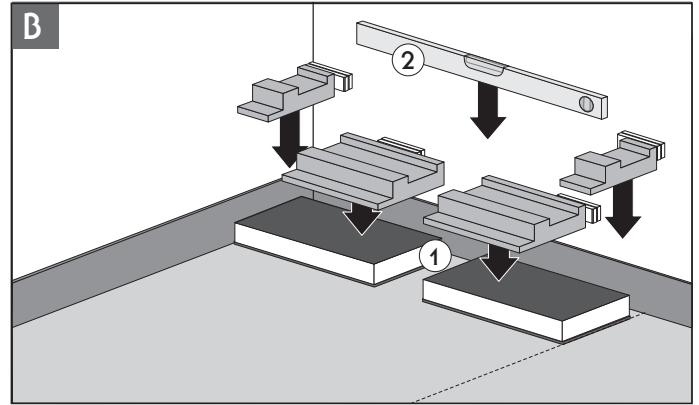
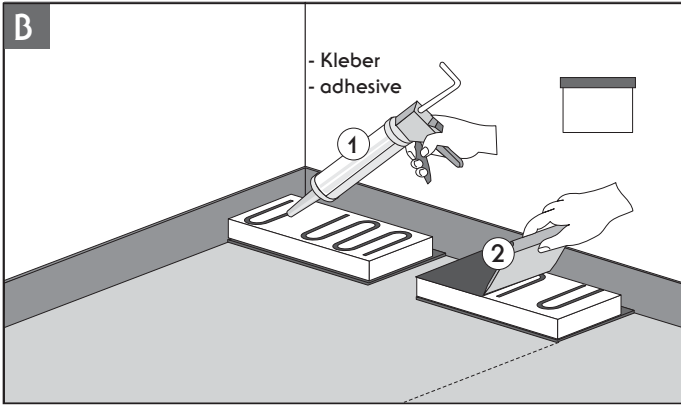
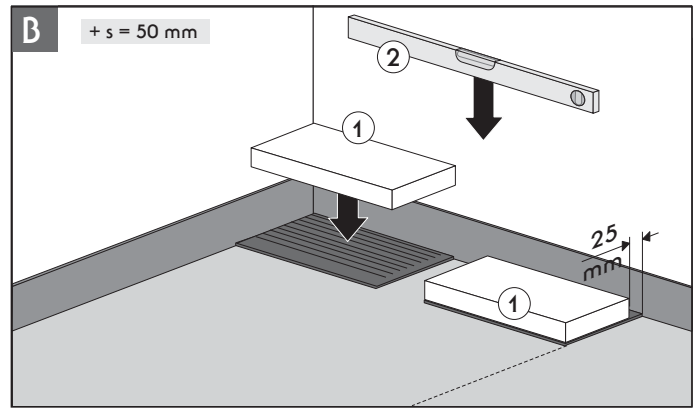
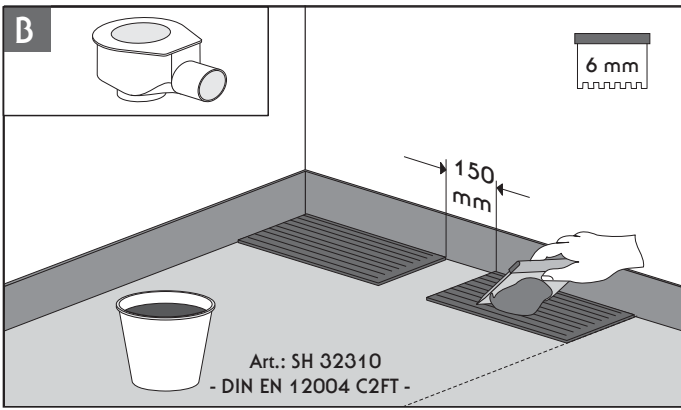
2

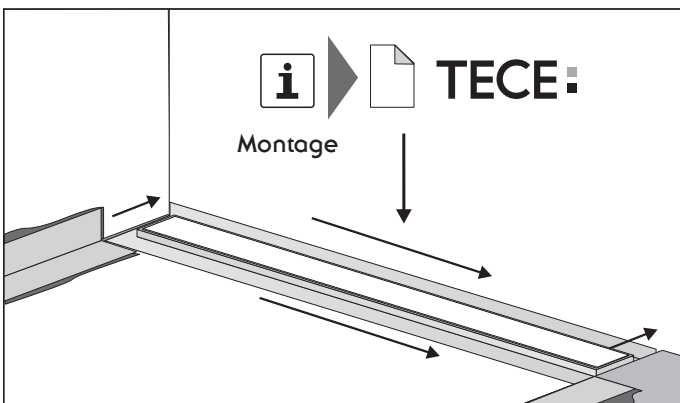
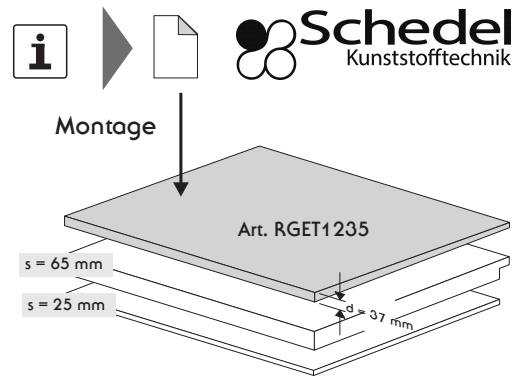
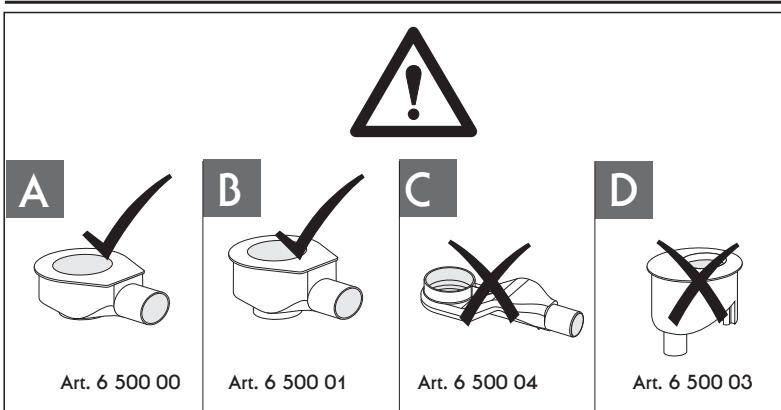
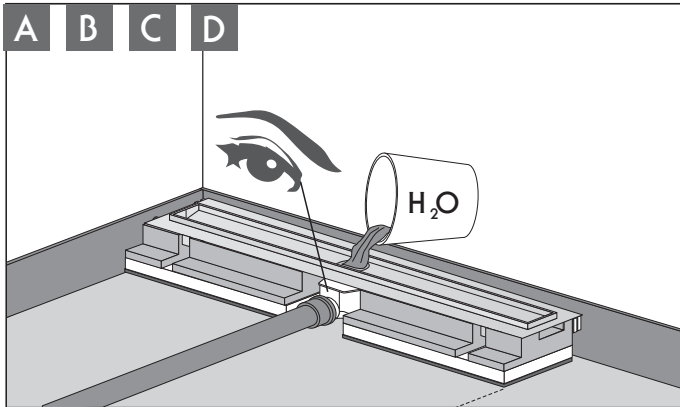
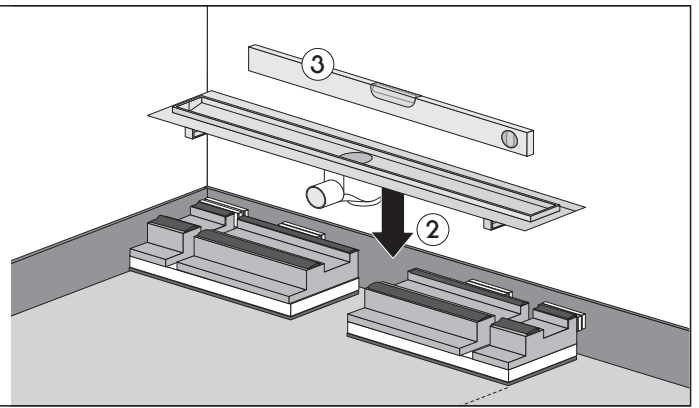
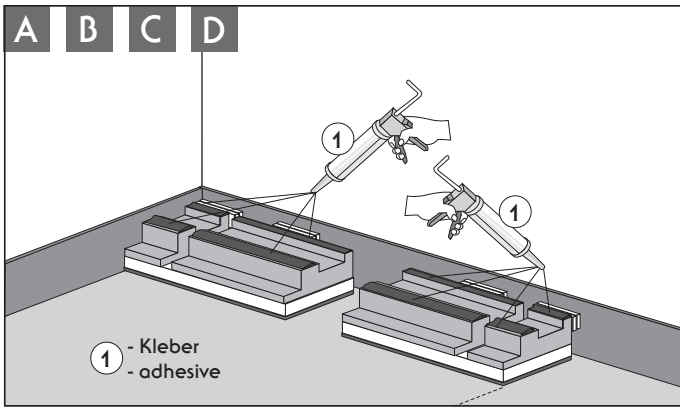


3

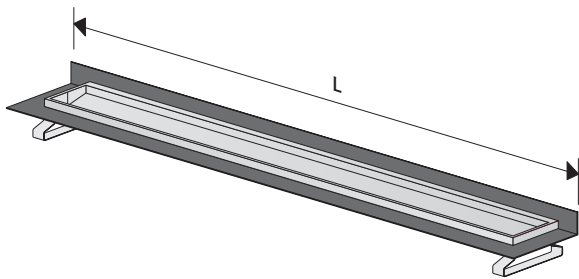
3





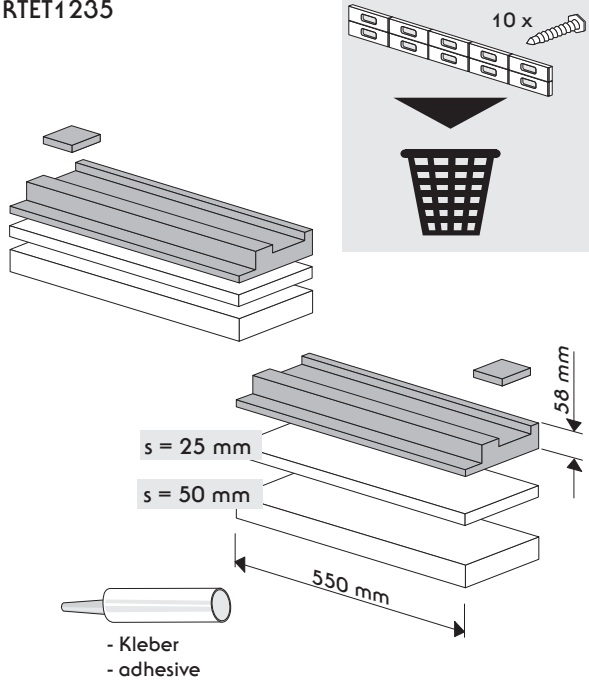



EBA 40433 RTET Wandaufkantung (Stand 24.03.2013)



L
724 mm
824 mm
924 mm
1024 mm
1224 mm

RTET1235




10 x 

58 mm

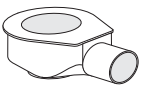
s = 25 mm
s = 50 mm

550 mm

- Kleber
- adhesive

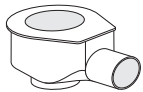


A + s = 25 mm




Art. 6 500 00

B + s = 50 mm



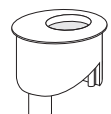
Art. 6 500 01

C




Art. 6 500 04

D s = 20 mm
s = 50 mm



Art. 6 500 03

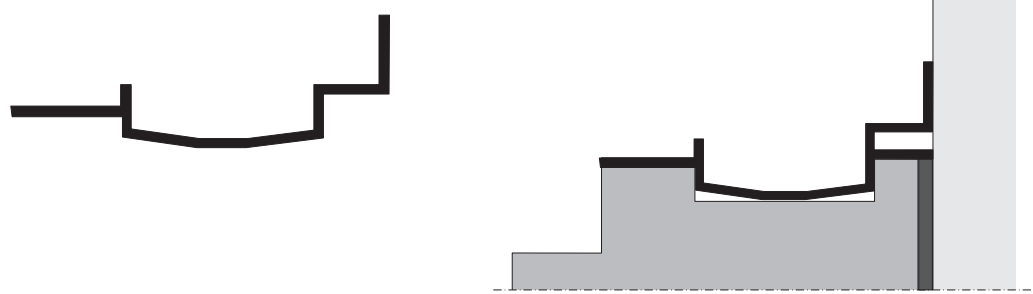


A

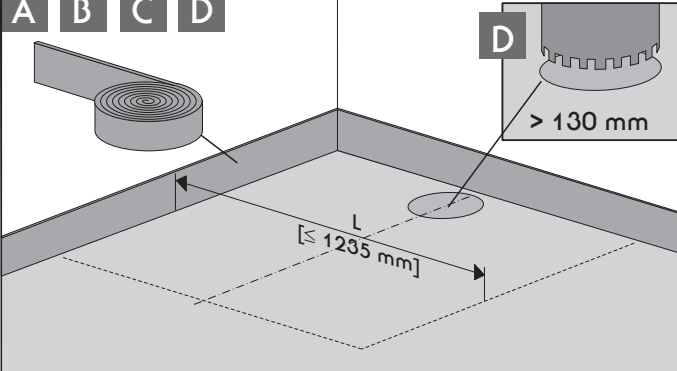
B

C

D



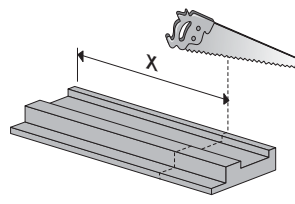
A B C D



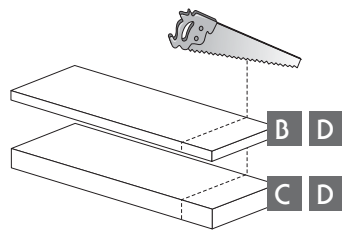
L [≤ 1235 mm]

D > 130 mm

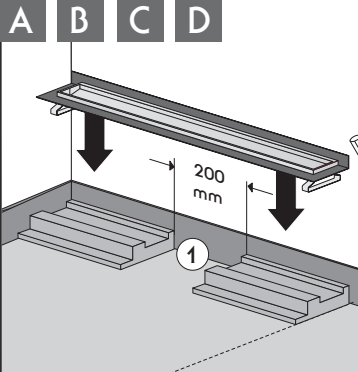
$(L - 200 \text{ mm}) : 2 = X$



$(L - 150 \text{ mm}) : 2 = X$

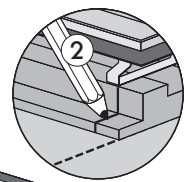
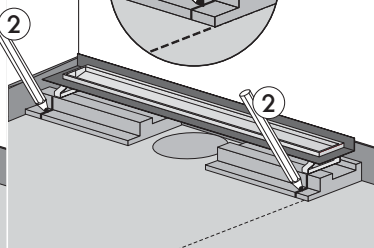


A B C D

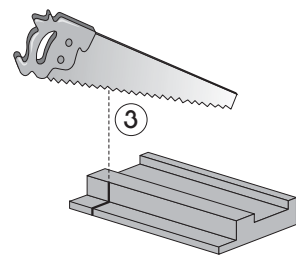


200 mm

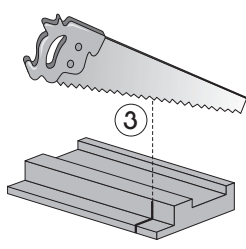
1

2



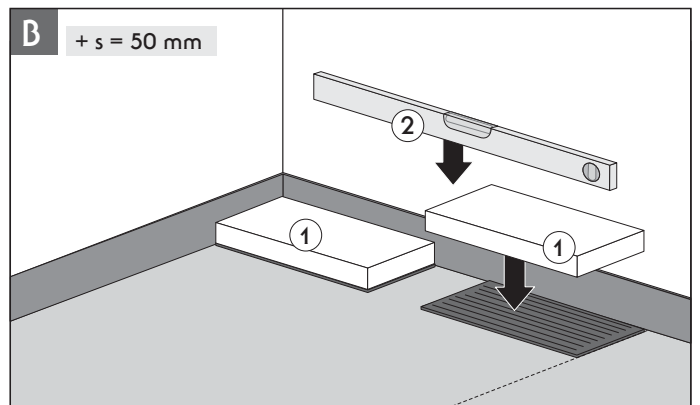
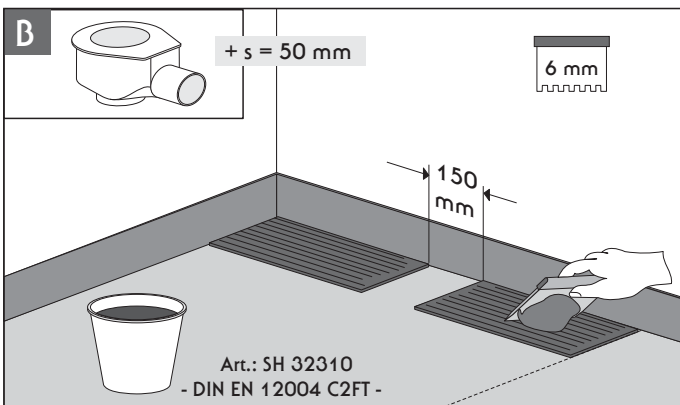
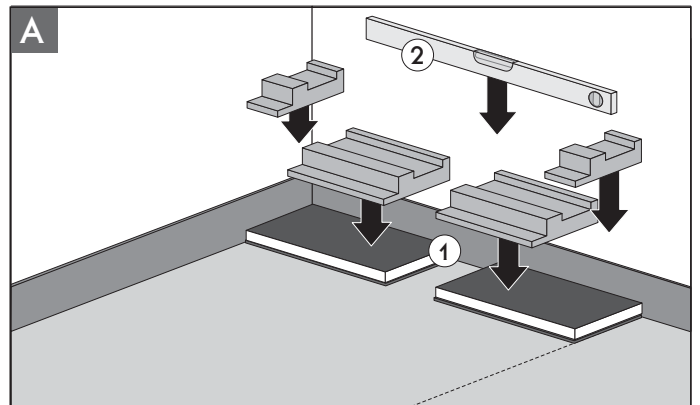
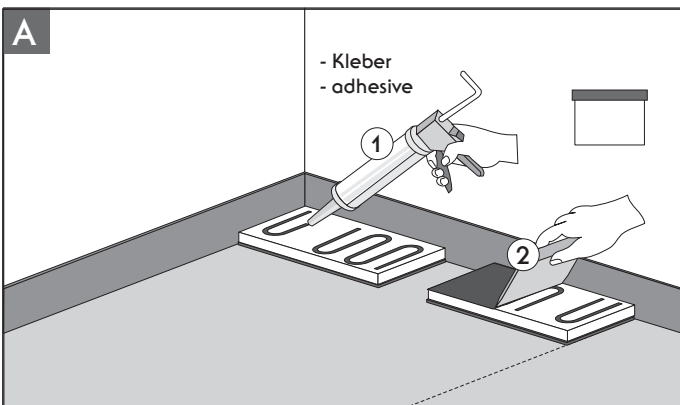
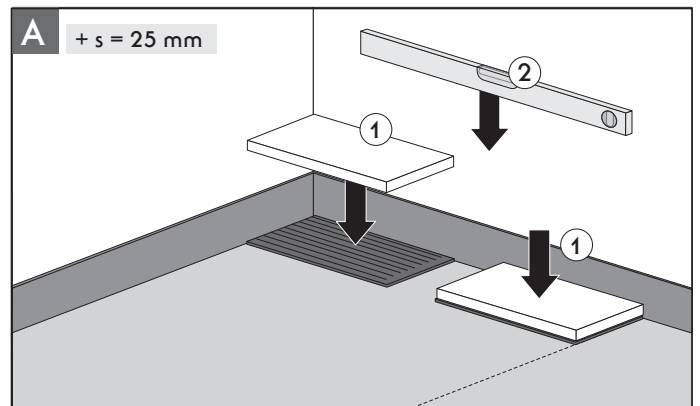
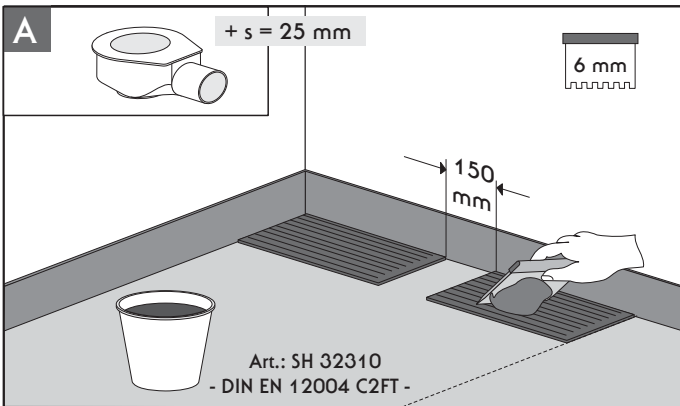
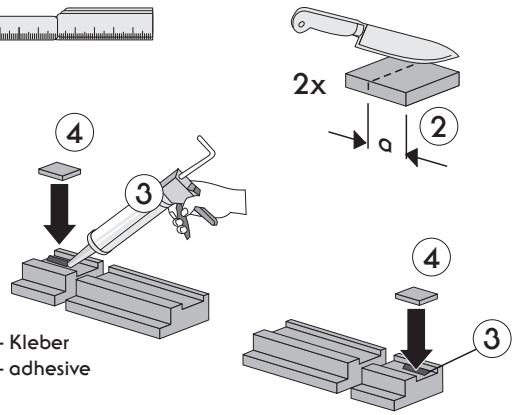
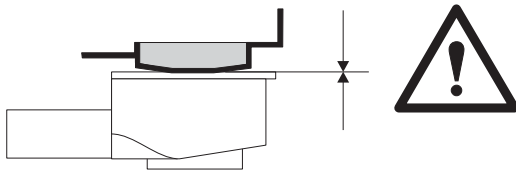
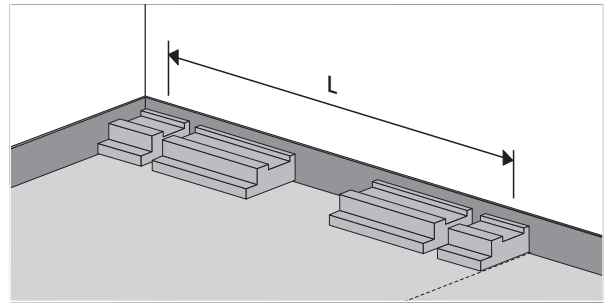
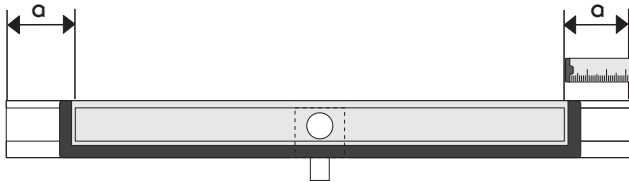
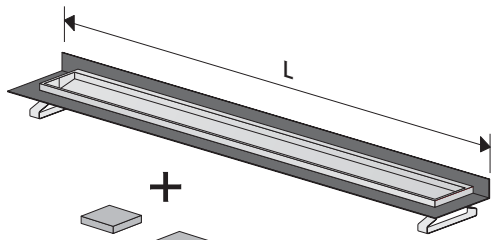
3

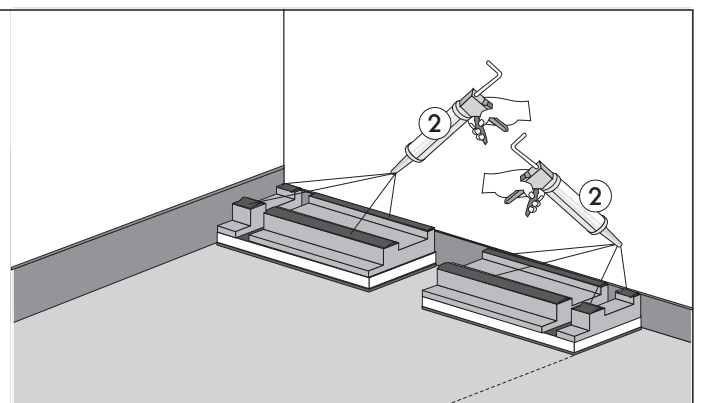
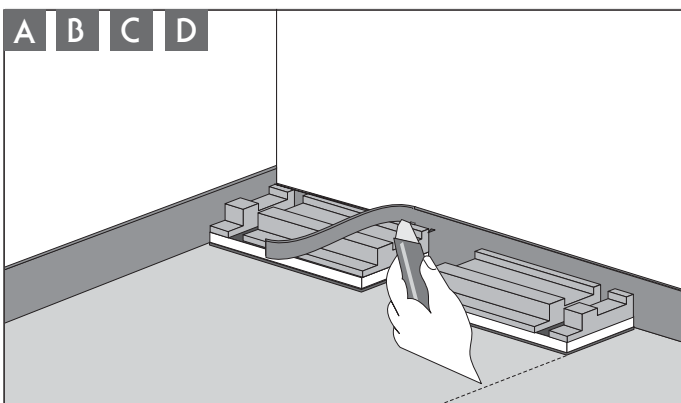
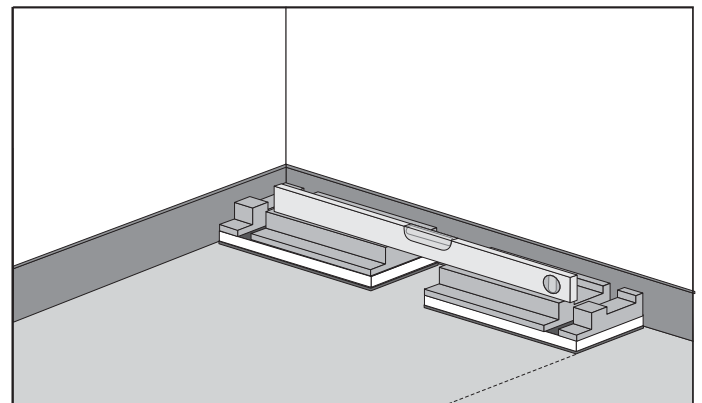
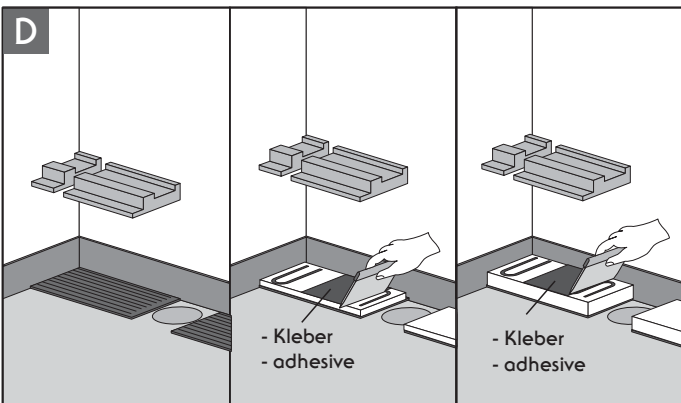
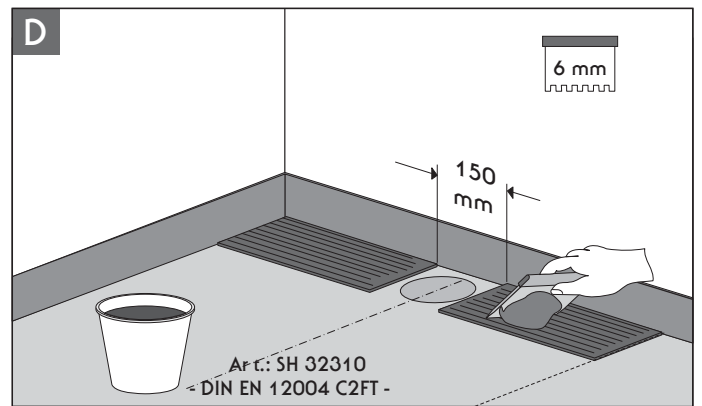
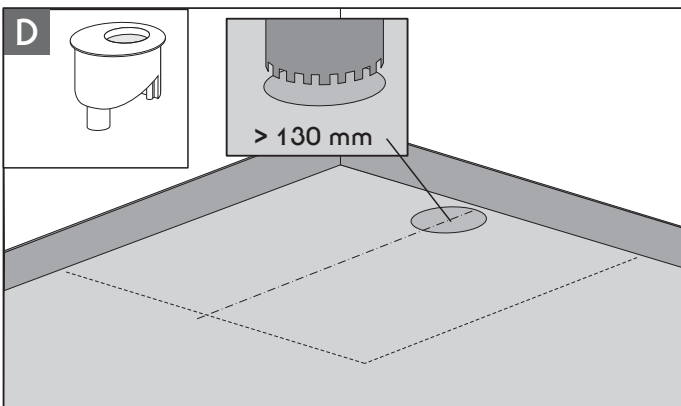
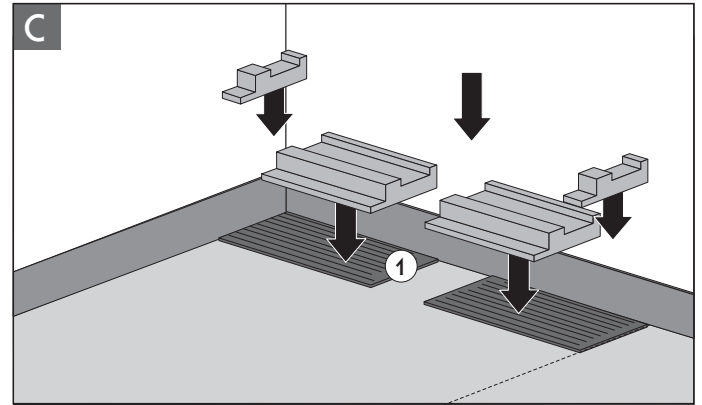
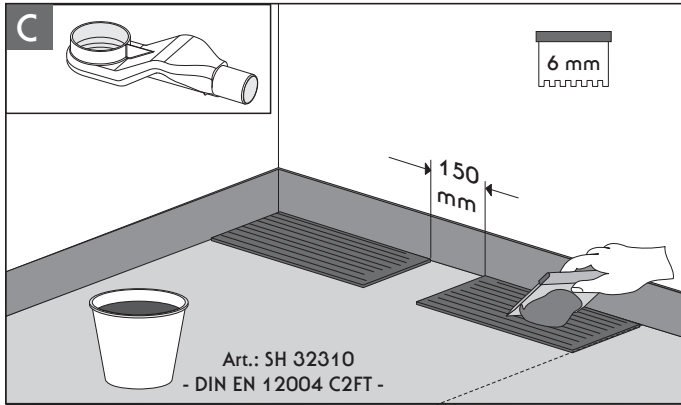
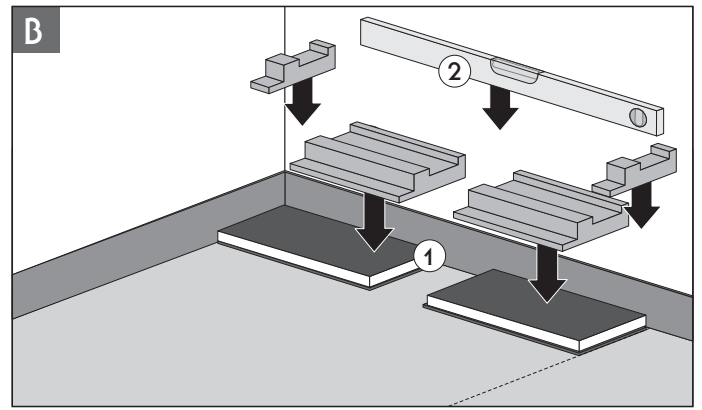
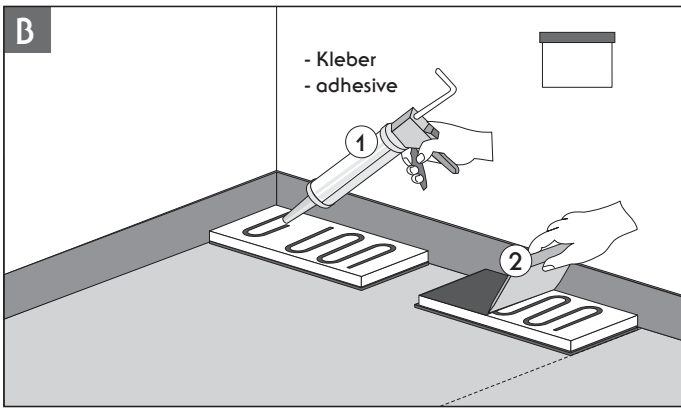


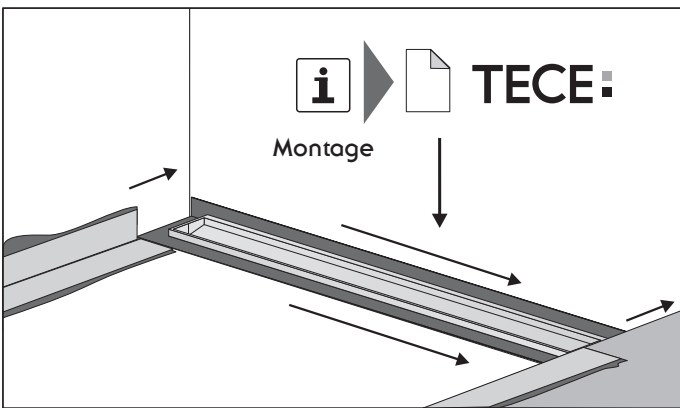
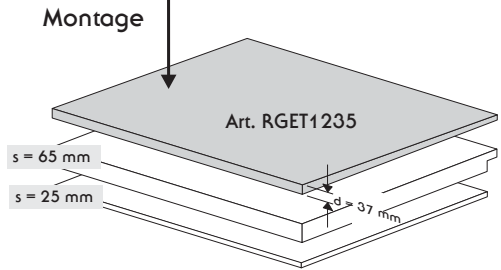
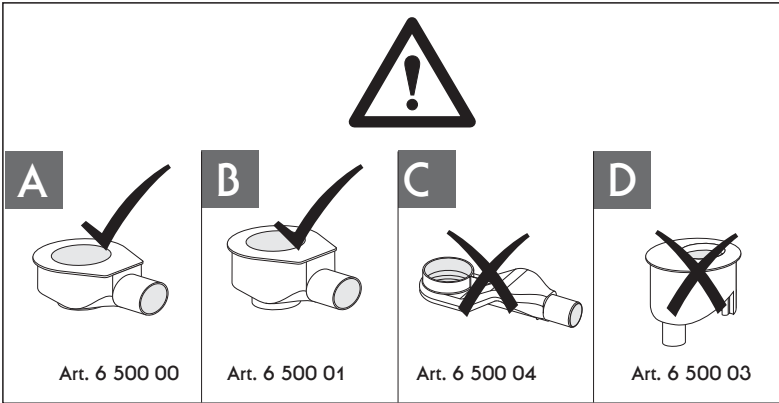
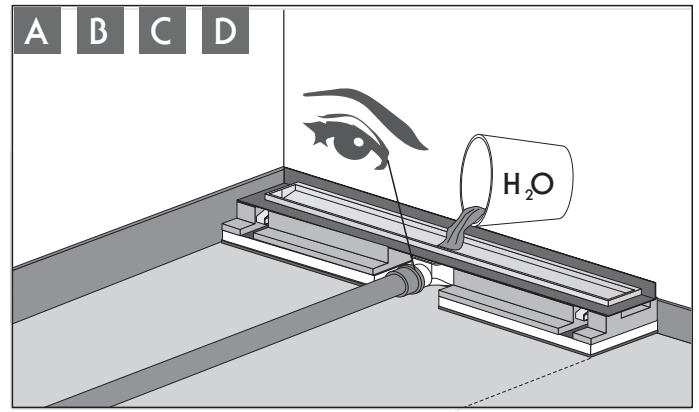
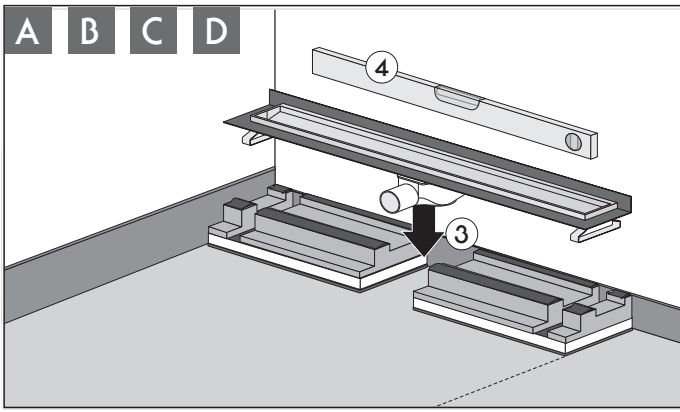
3



A B C D







STANDARD	NATURSTEIN	WANDAUFKANTUNG
A s = 65 mm Art. 6 500 00	B s = 25 mm s = 65 mm Art. 6 500 01	RGET1235 s = 65 mm s = 25 mm d = 37 mm
 Art. 6 500 04	 Art. 6 500 03	

i	A	B
	 Art. 6 500 00 s = 65 mm	 Art. 6 500 01 s = 25 mm + s = 65 mm
	 6 [3] mm 6 [3] mm 3 mm 65 mm 6 mm	 6 [3] mm 3 mm 65 mm 25 mm 6 mm
	 Art.: SH 32310 - DIN EN 12004 C2FT -	 Art.: SH 32310 - DIN EN 12004 C2FT -

A

s = 25 mm

Art. 6 500 00

A

L

s = 65 mm

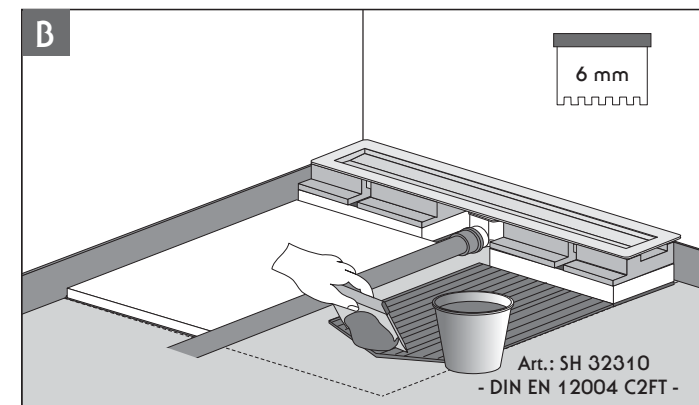
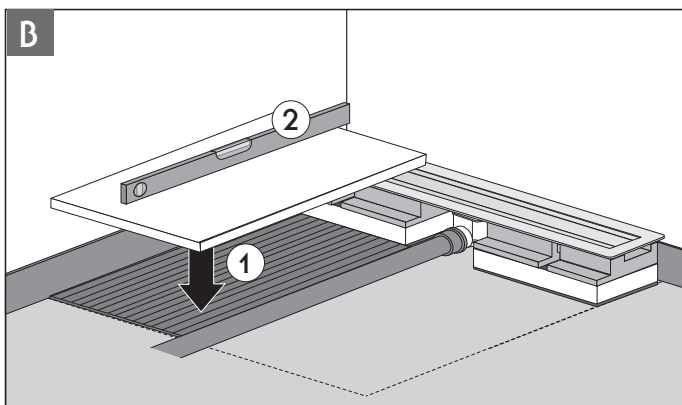
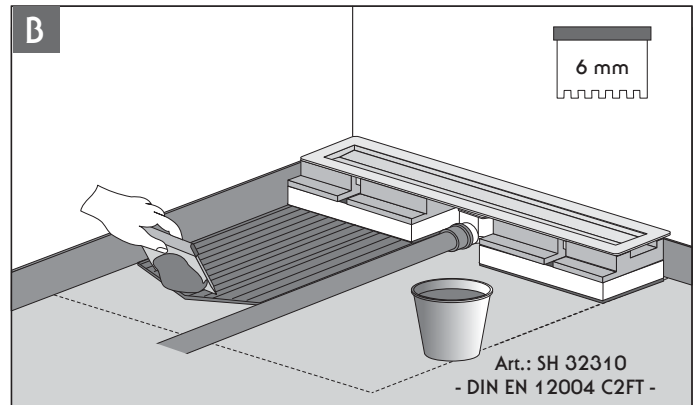
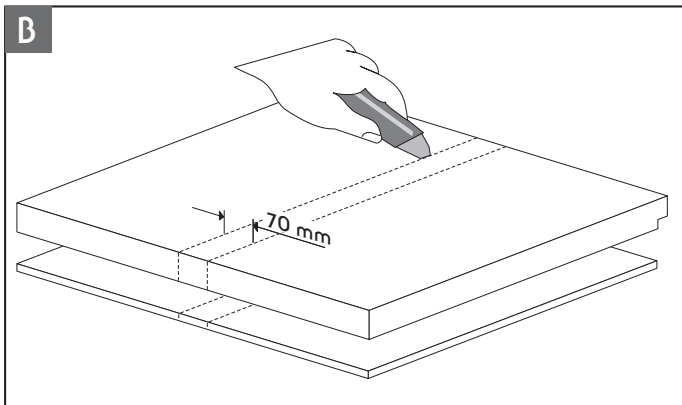
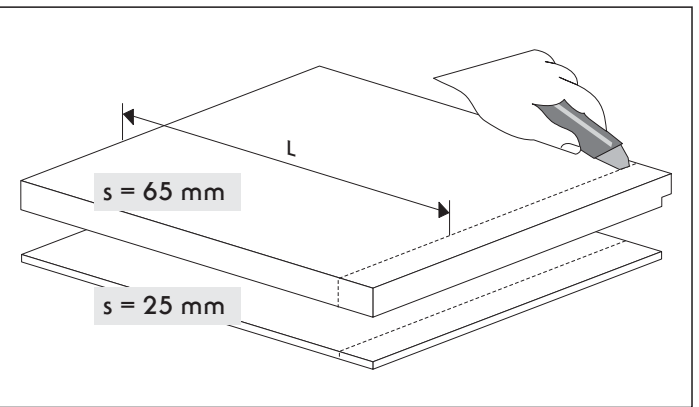
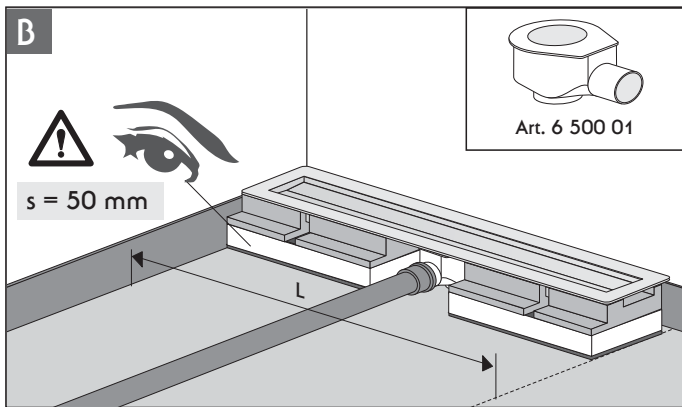
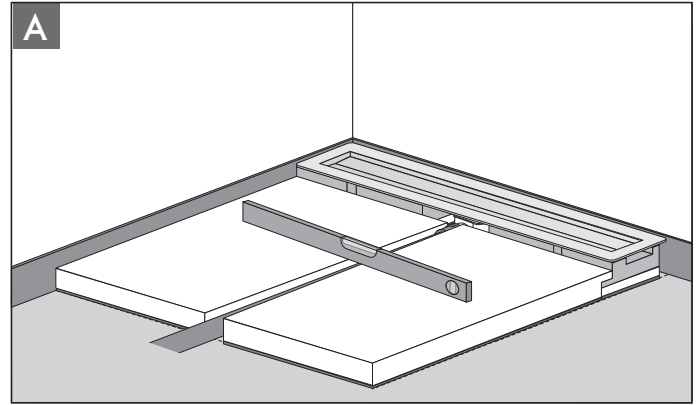
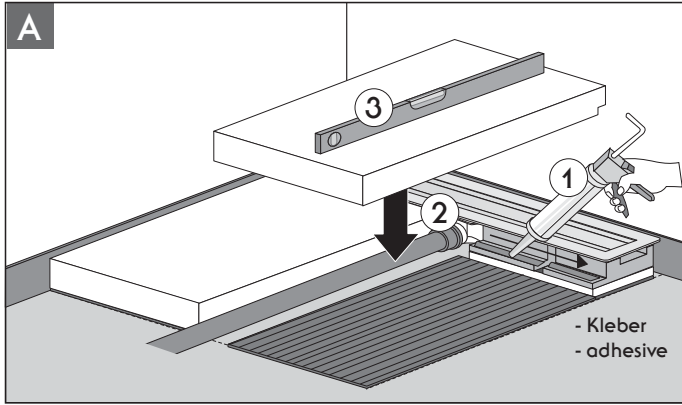
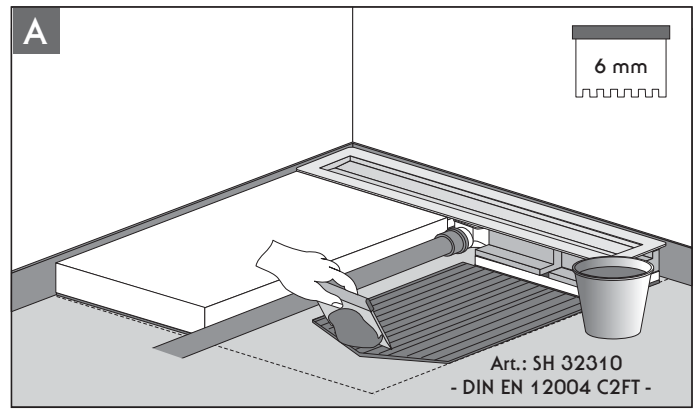
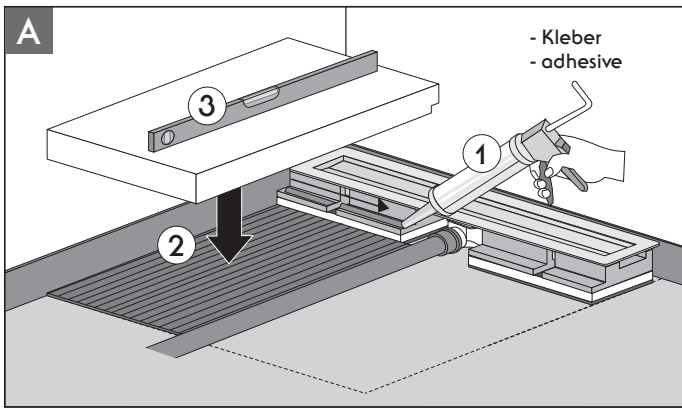
A

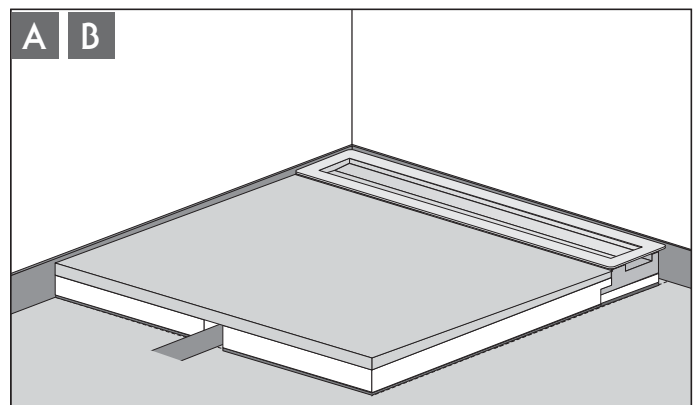
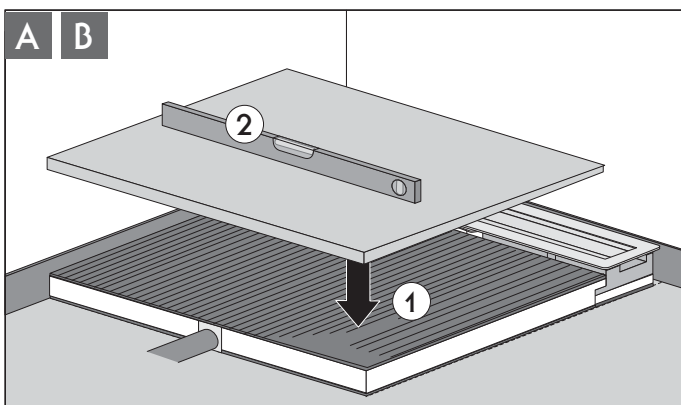
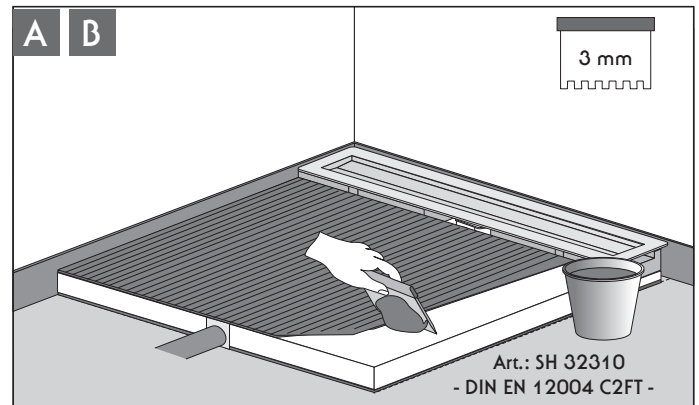
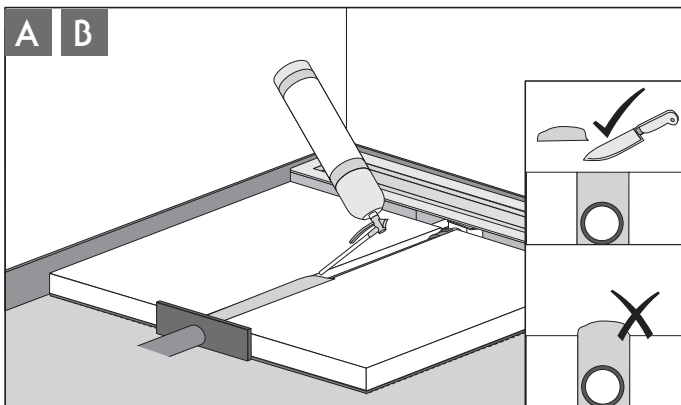
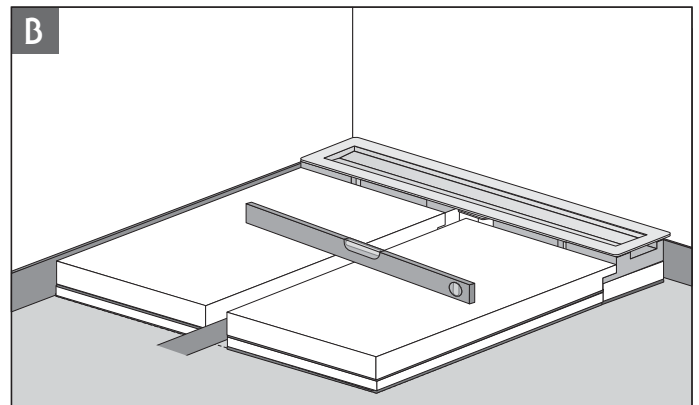
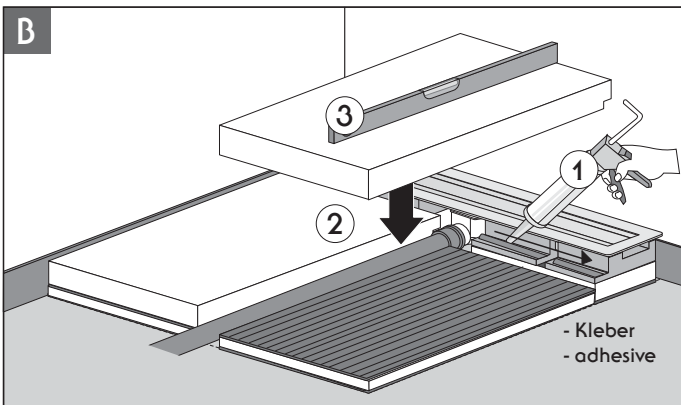
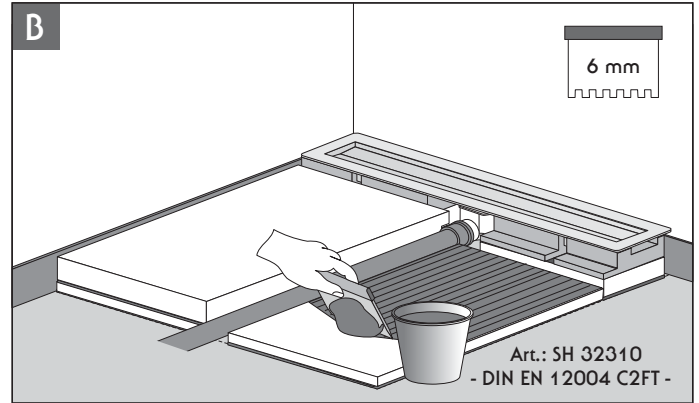
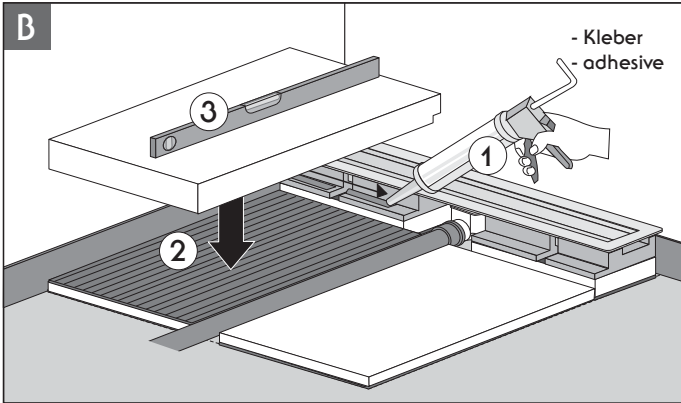
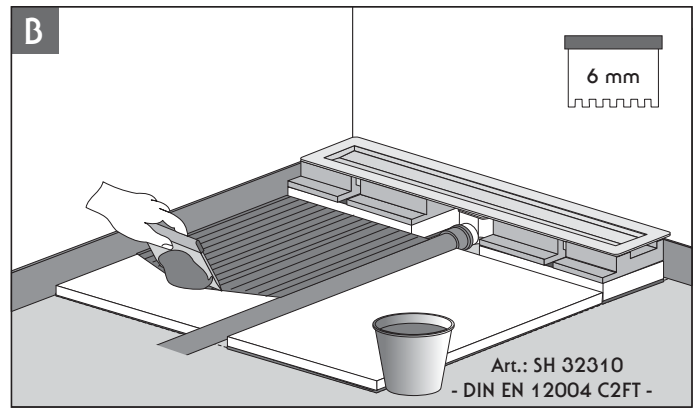
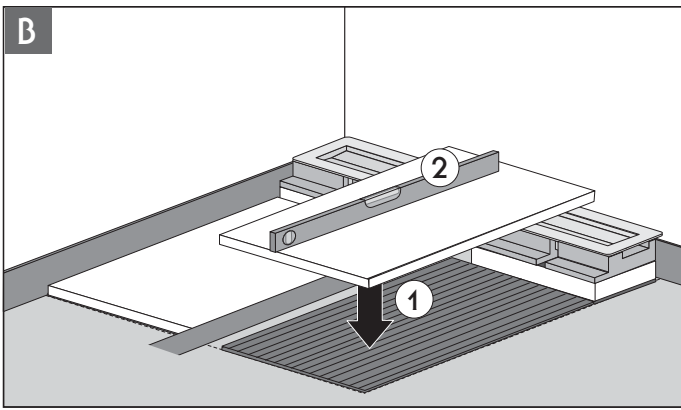
70 mm

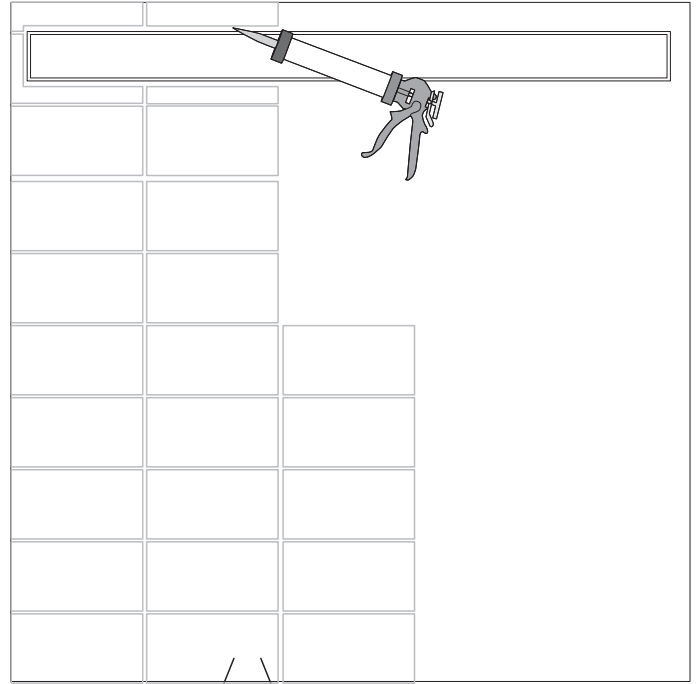
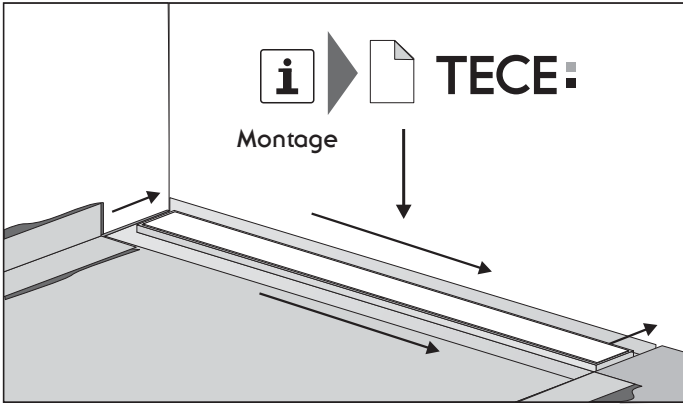
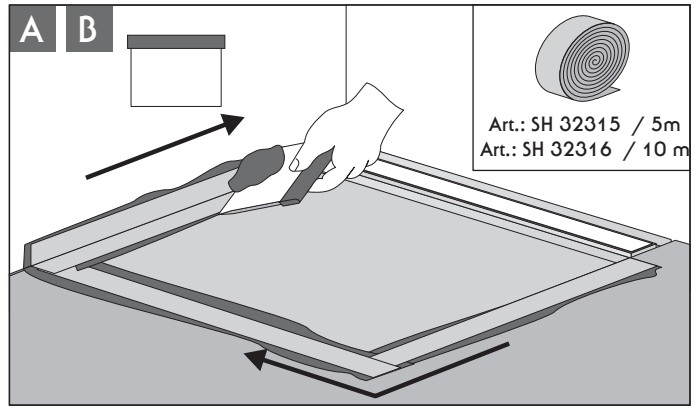
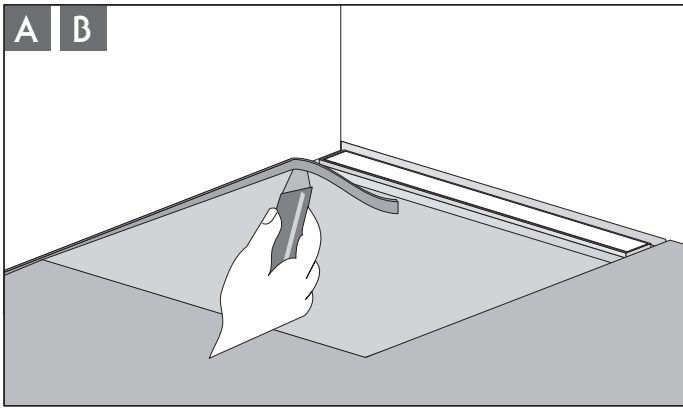
A

6 mm

Art.: SH 32310
- DIN EN 12004 C2FT -







$\geq 2 \times 2 \text{ cm}$

$\geq 5 \times 5 \text{ cm}$

