

# EBA 40055 RTED Dallmer Ceraline Nano (Stand 01.07.2013)

**A**

**B**

**RTED1200**

600 mm  
71 mm

10 x

- Kleber  
- adhesive

6 mm

71

Art.: SH 32310  
- DIN EN 12004 C2FT -

**L**

- 600 mm
- 700 mm
- 800 mm
- 900 mm
- 1000 mm
- 1100 mm
- 1200 mm

**i** **A**

10 x

**B**

**A B**

160 mm

L

**1**

a

**2**

a

**3**

**4**

- Kleber  
- adhesive

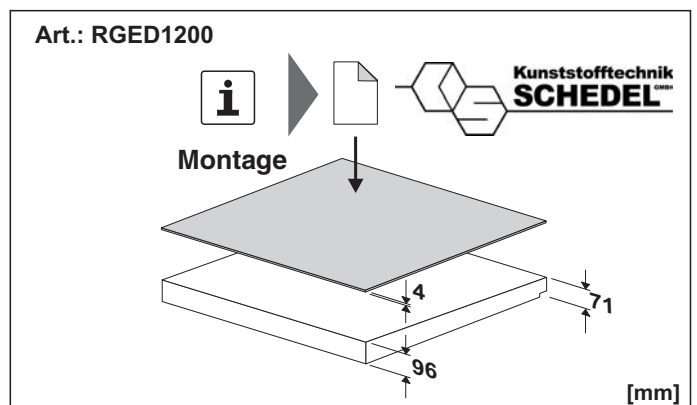
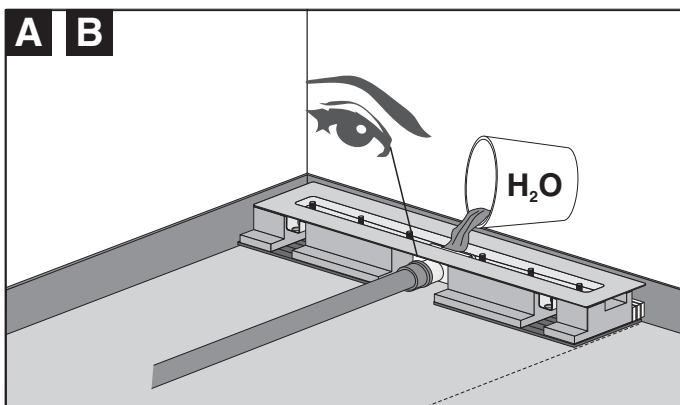
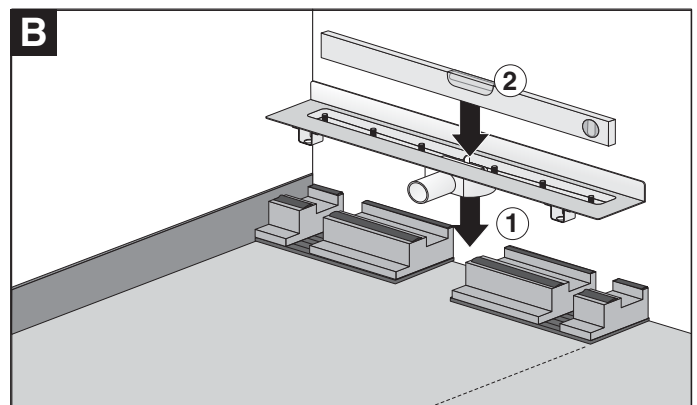
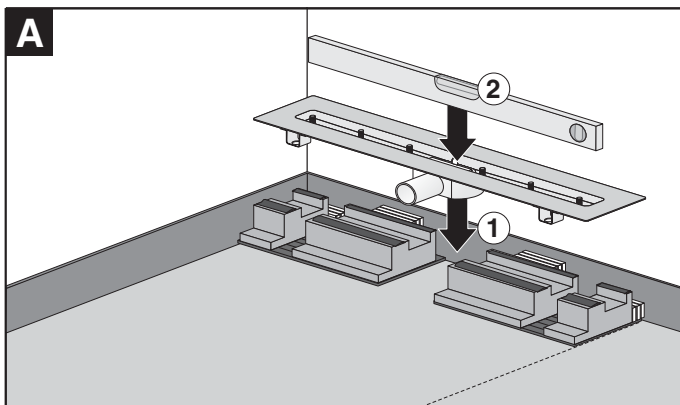
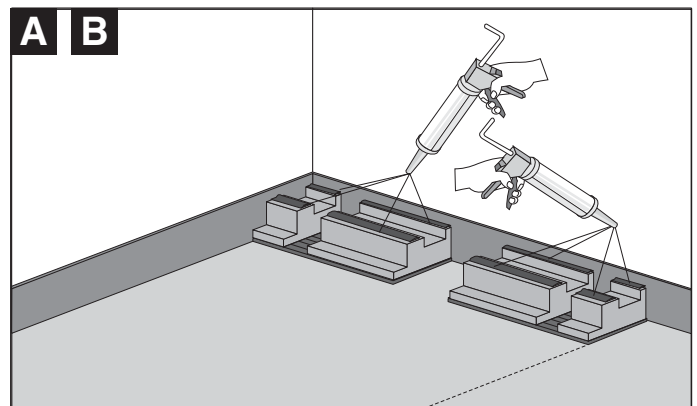
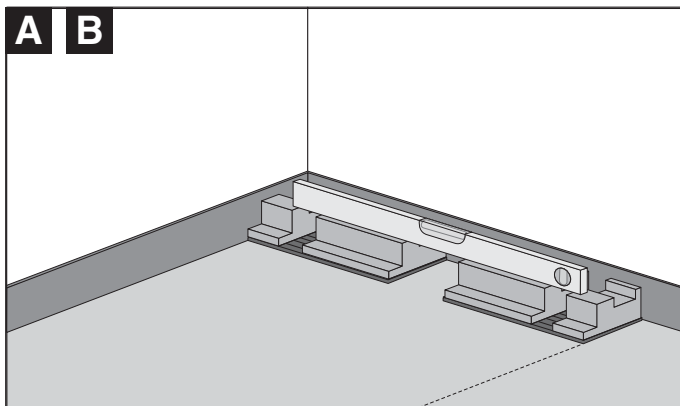
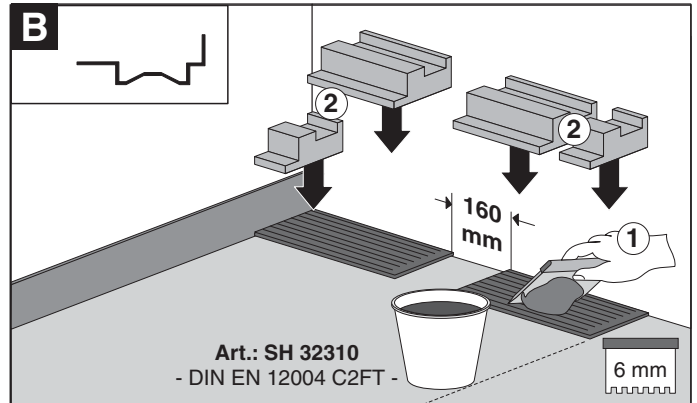
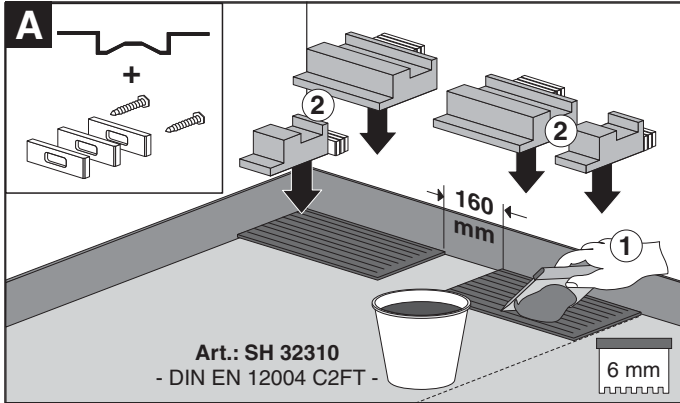
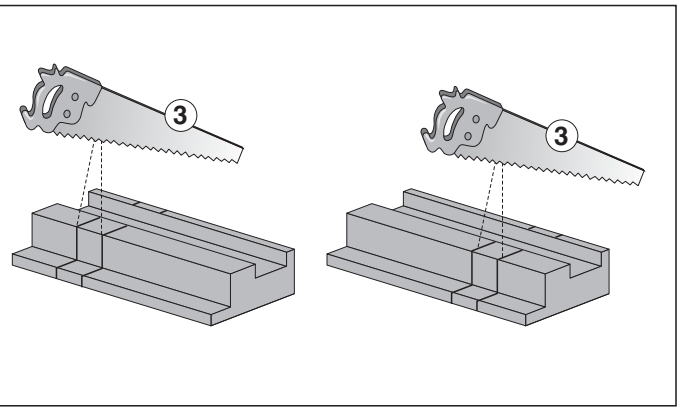
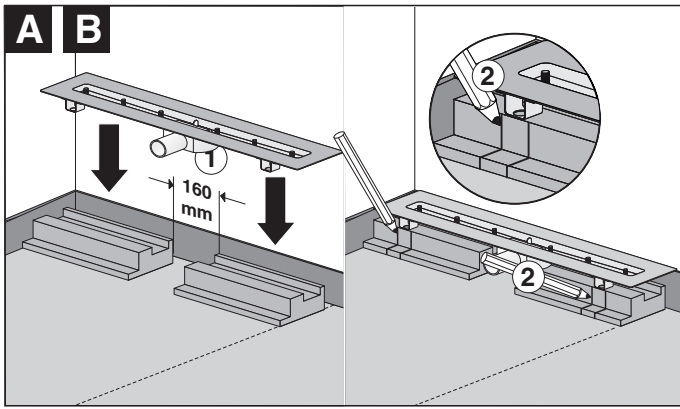
**A B**

L  
[ ≤ 1200 mm ]

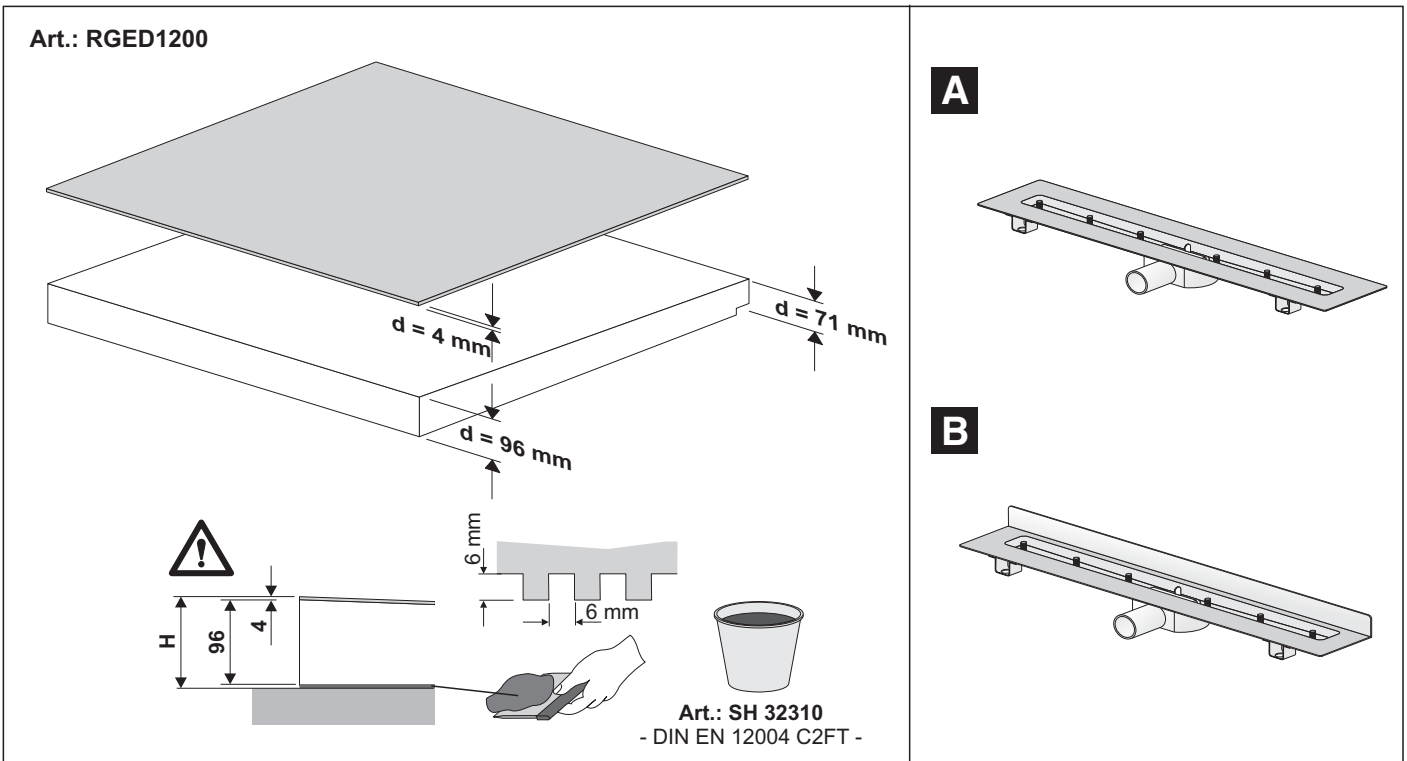
**(L - 160 mm) : 2 = X**

X

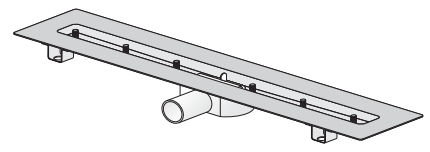
X



# EBA 40055 RTED Dallmer Ceraline Nano (Stand 01.07.2013)



**A**



**B**

