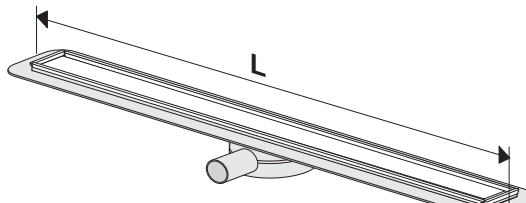
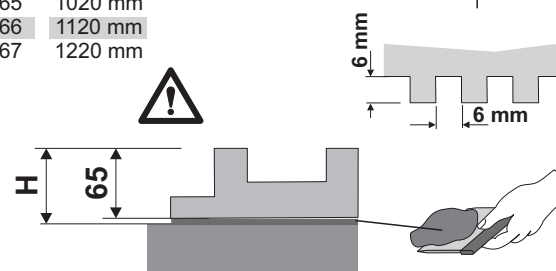


EBA 40074 RTE Kessel Compact (Stand 01.07.2013)

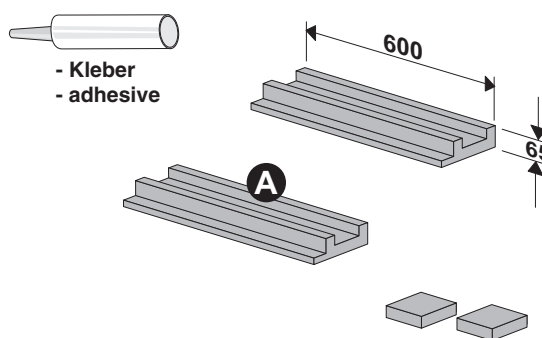
Kessel Linearis Compact



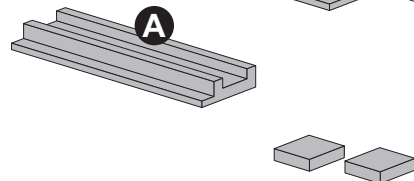

Typ	Art.	L
300	45 600.59	370 mm
450	45 600.60	520 mm
550	45 600.61	620 mm
650	45 600.62	720 mm
750	45 600.63	820 mm
850	45 600.64	920 mm
950	45 600.65	1020 mm
1050	45 600.66	1120 mm
1150	45 600.67	1220 mm



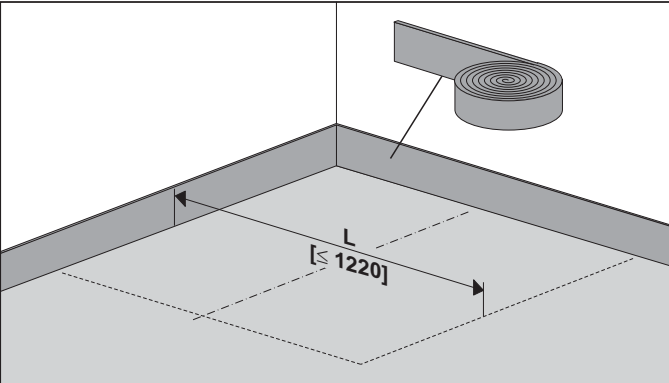
RTEKCOMPACT1220 [mm]



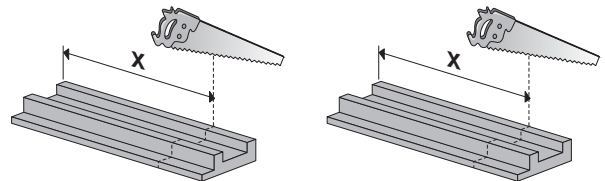
- Kleber
- adhesive

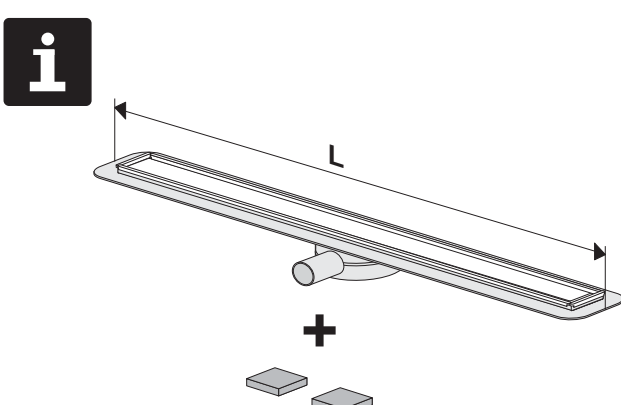
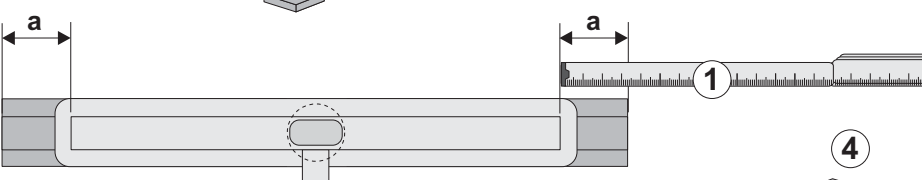



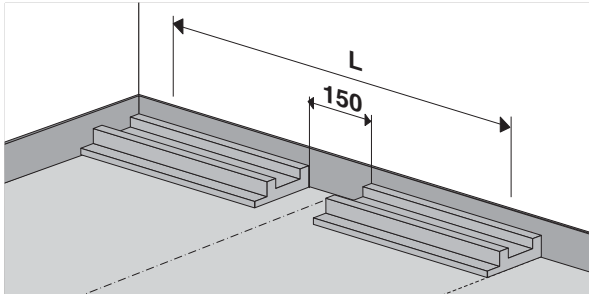
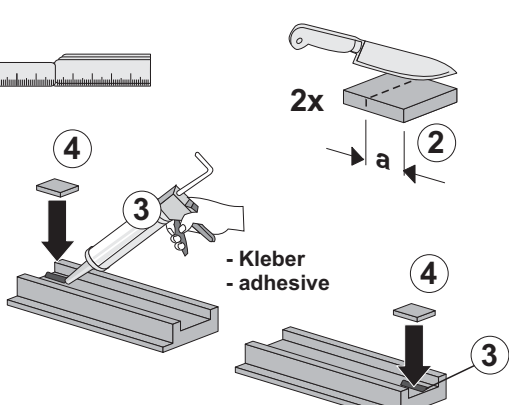
Art.: SH 32310
- DIN EN 12004 C2FT -



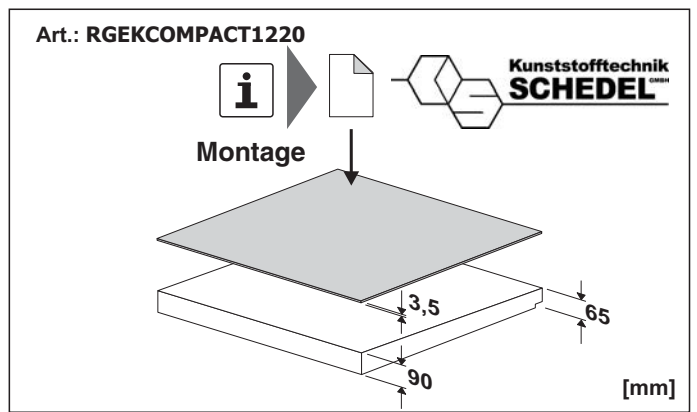
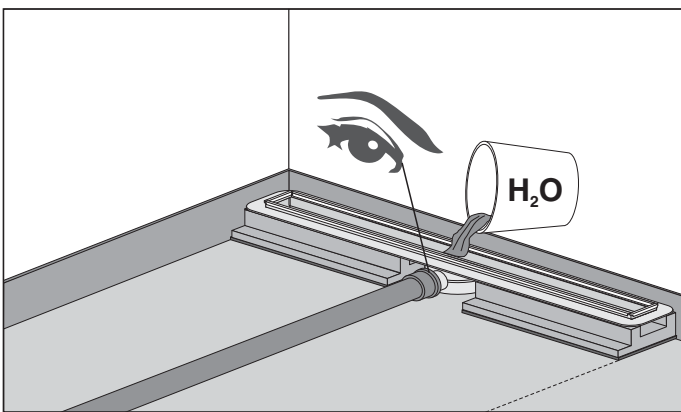
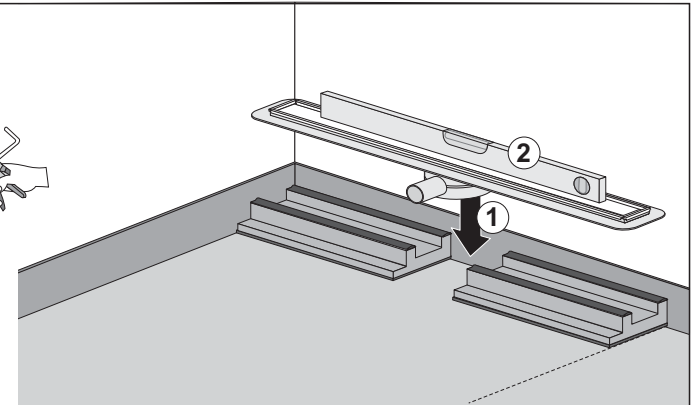
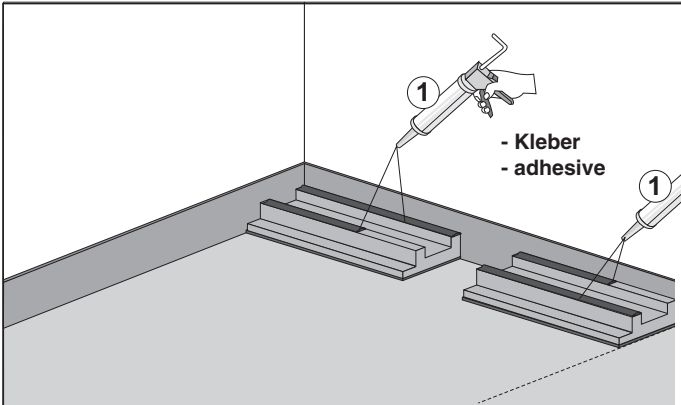
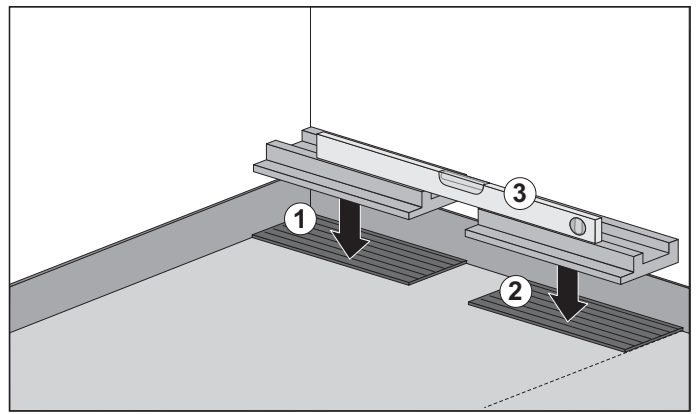
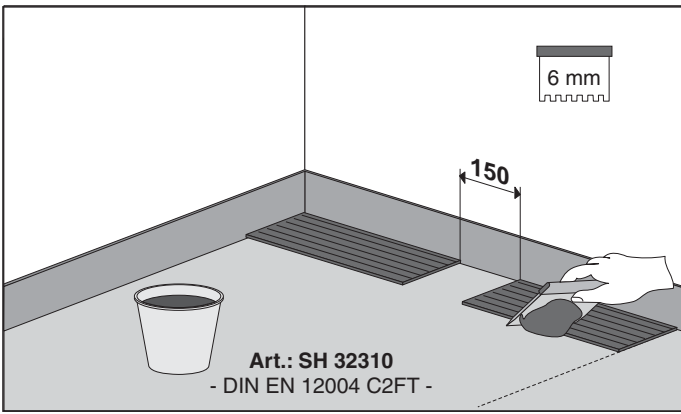
(L - 150 mm) : 2 = X



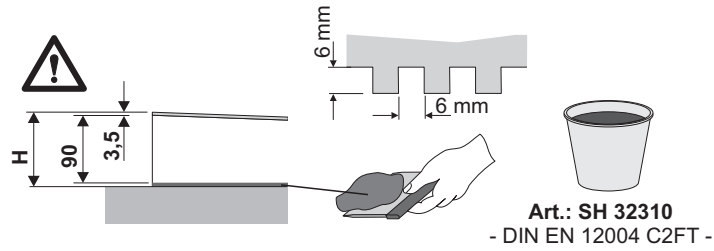
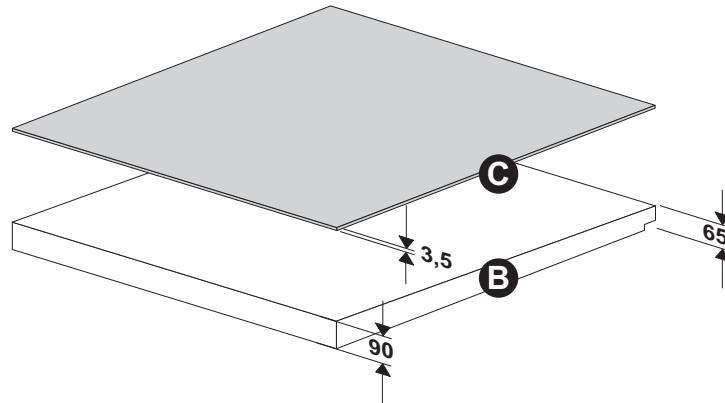
- Kleber
- adhesive



EBA 40074 RGE Kessel Compact (Stand 01.07.2013)

Art.: RGEKOPMPACT1220

[mm]



Art.: SH 32310
- DIN EN 12004 C2FT -

